



EN Operating instructions.pages 1 to 2
Translation of the original operating instructions

Destination and use

Different actuator forms are available. The actuators AZ 3350-B1 and -B5 are preferably used for sliding and removable safety guards; the actuators AZ 3350-B1R, -B5R, -B6 and -B6H for hinged guards. All actuators have 8 mm play in actuating direction.



The actuators must be permanently fitted to the safety guards and protected against displacement by suitable measures (tamperproof screws, welding, pinning, rivetting).



The actuators described in this manual are not suitable for use in explosive atmospheres.

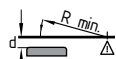
Mounting

For fitting onto hinged safety guards, please ensure that the point of rotation of the hinge and the top surface of the safety switch plus d mm are in a parallel plane (see table).

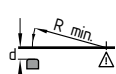
The B6 and B6H actuators must be fitted so that they are protected against soiling (e.g. dust, sand and chips).

Actuating radii				
	R _{min} [mm]	d [mm]	R _{min} [mm]	d [mm]
AZ 3350-B1	400	28	700	28
AZ 3350-B5	400	22	700	22
AZ 3350-B1R	350	28	-	-
AZ 3350-B5R	350	22	-	-
AZ 3350-B6	400	55	650	55
AZ 3350-B6H	400	49	650	49

Legend

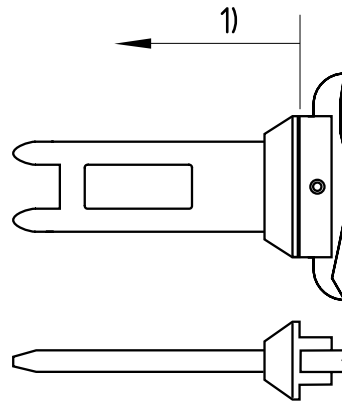


Radii over the wide edge of the actuator



Radii over the small edge of the actuator

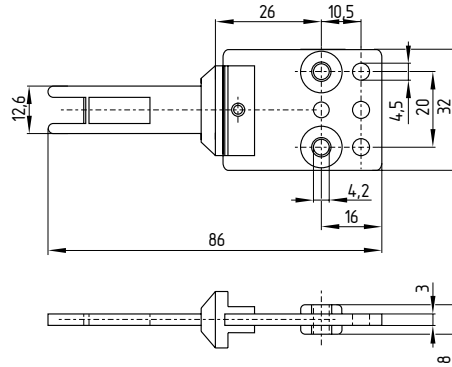
Distance to the device head 5...13 mm



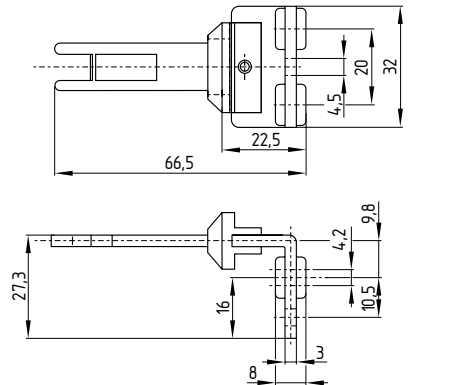
Dimensions

All measurements in mm.

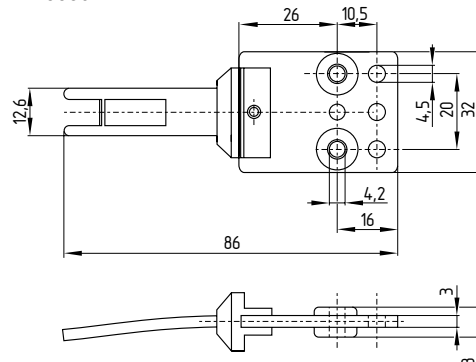
AZ 3350-B1



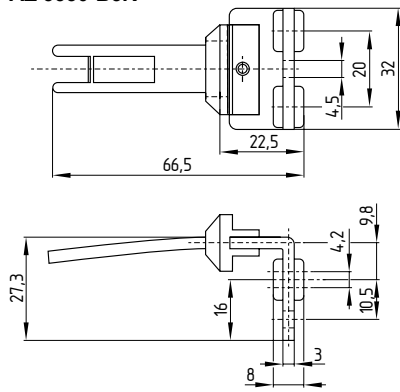
AZ 3350-B5



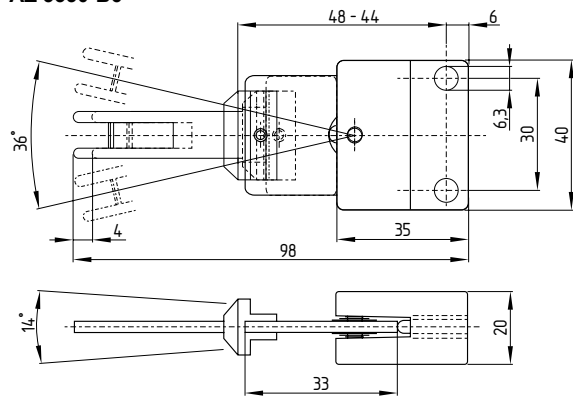
AZ 3350-B1R



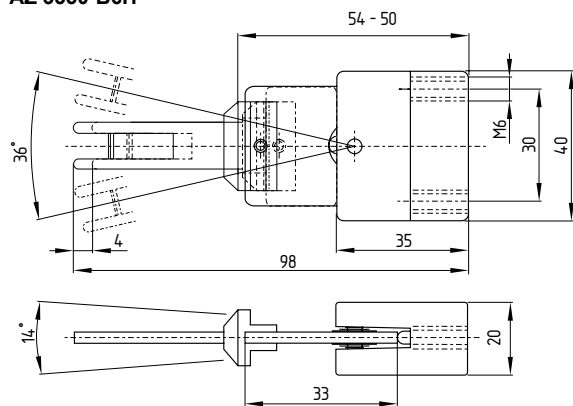
AZ 3350-B5R



AZ 3350-B6



AZ 3350-B6H



K. A. Schmersal GmbH
Industrielle Sicherheitssysteme
 Möddinghofe 30, D - 42279 Wuppertal
 Postfach 24 02 63, D - 42232 Wuppertal

Phone: +49 - (0)2 02 - 64 74 - 0
 Telefax: +49 - (0)2 02 - 64 74 - 1 00
 E-Mail: info@schmersal.com
 Internet: <http://www.schmersal.com>

