



EN Operating instructions..... pages 1 to 2  
Original

**Destination and use**

Different actuator forms are available. The actuators BO and BOW are preferably used for sliding and removable safety guards; the actuators BOR, BOWR, BOF/HIS.1 und BOF/HIS.2 for hinged guards. All actuators have 8 mm play in actuating direction.

The actuators must be permanently fitted to the safety guards and protected against displacement by suitable measures (tamperproof screws, welding, pinning, rivetting).

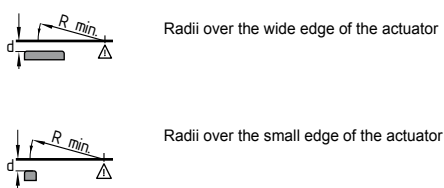
The actuators described in this manual are not suitable for use in explosive atmospheres.

**Mounting**

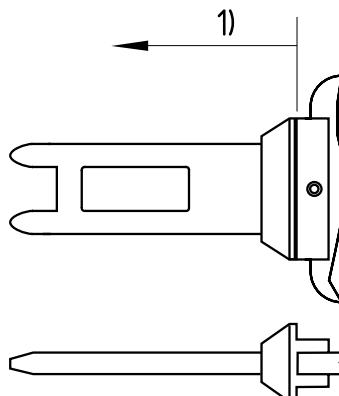
For fitting onto hinged safety guards, please ensure that the point of rotation of the hinge and the top surface of the safety switch plus d mm are in a parallel plane (see table).  
The BOF/HIS.1 and BOF/HIS.2 actuators must be fitted so that they are protected against soiling (e.g. dust, sand and chips).

Actuating radii				
	R <sub>min</sub> [mm] x [mm]		R <sub>min</sub> [mm] x [mm]	
BO	400	28	700	28
BOW	400	22	700	22
BOR	350	28	-	-
BOWR	350	22	-	-
BOF/HIS.1	400	55	650	55
BOF/HIS.2	400	49	650	49

**Legend**

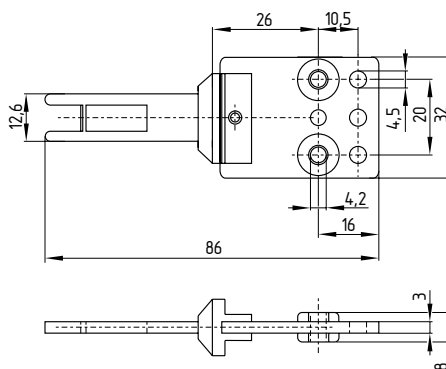


Distance to the device head 5...13 mm

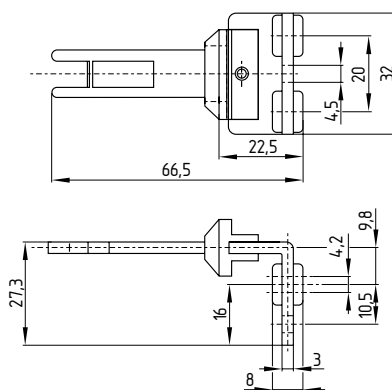


**Dimensions**  
All measurements in mm.

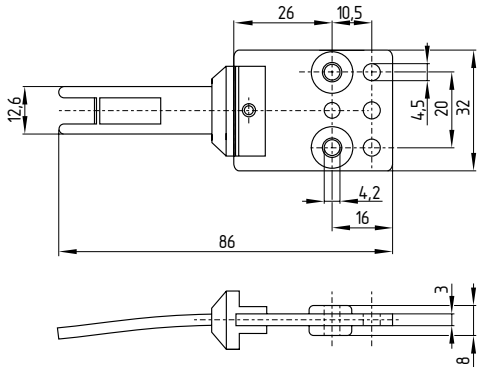
**BO**



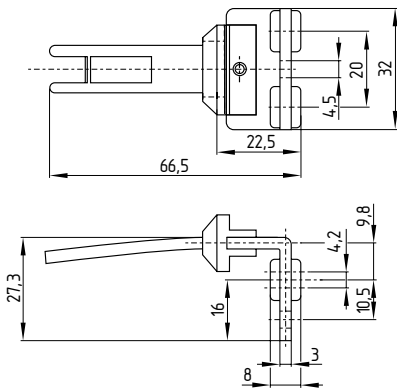
**BOW**



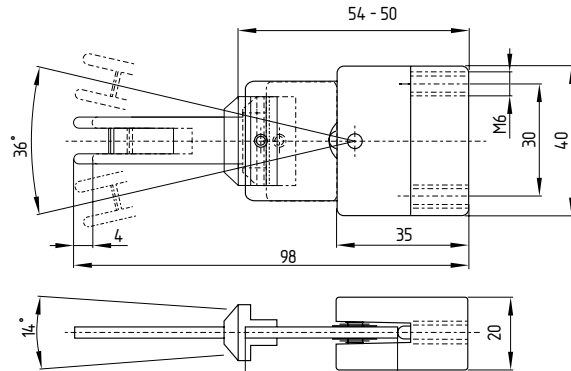
BOR



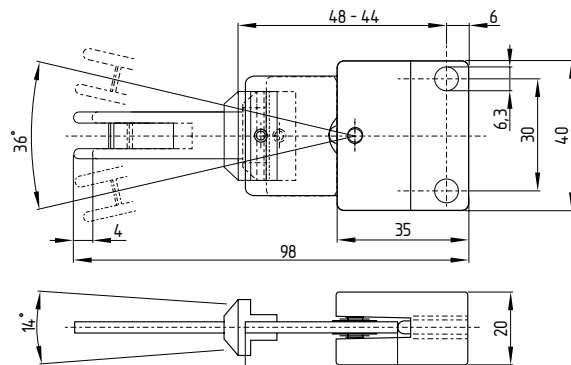
BOWR



BOF/HIS.1



BOF/HIS.2



**K. A. Schmersal GmbH & Co. KG**  
Möddinghofe 30, D - 42279 Wuppertal  
Postfach 24 02 63, D - 42232 Wuppertal

Telefon +49 - (0)2 02 - 64 74 - 0  
Telefax +49 - (0)2 02 - 64 74 - 1 00  
E-Mail: [info@schmersal.com](mailto:info@schmersal.com)  
Internet: <http://www.schmersal.com>

