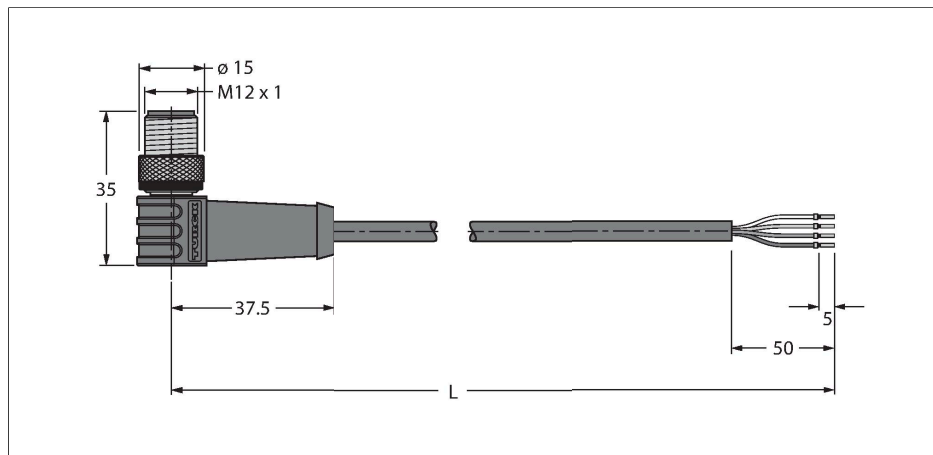


# HT-WWAS4-5/S2430

## High-Temperature Resistant Actuator and Sensor Cable – Connection Cable

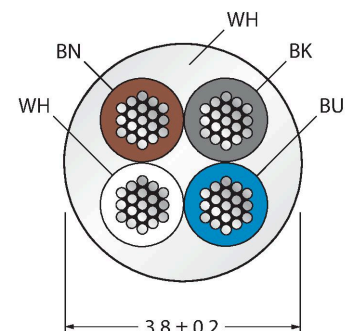


### Features

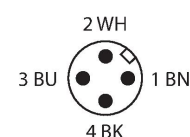


- M12 male connector, angled, 4-pin
- Sheath material: PTFE
- Sheath color: white
- Flame-retardant
- Resistant to welding sparks
- Resistant to chemicals, UV radiation and oils
- Resistant to acids and alkaline solutions
- LABS free
- Resistant to microbes and hydrolysis
- Cold and heat-flexible
- RoHS-compliant
- Protection class IP65
- Temperature range of the cable: -190°C... 260°C
- Cable length: 5.0 m

### Cable Cross-Section



### Contact assignment



### Technical data

|  |  |
|--|--|
| Type                                   | HT-WWAS4-5/S2430   |
| ID                                     | 8036095  |
| Connector A                            | Male, M12 × 1, Angled                                      |
| Number of Pins                         | 4  |
| Contacts                               | Brass, CuZn, Gold-plated                                   |
| Contact carriers                       | Plastic, PBT GF, Black                                     |
| Connector body                         | Plastic, PBT GF, Black                                     |
| Coupling nut/screw                     | Brass, CuZn, Nickel-plated                                 |
| Seal                                   | FPM/FKM  |
| Tightening torque (range)              | 0.8 ... 1 Nm<br>(observe max. torque of mating connector!) |
| Mechanical lifespan                    | > 100 Mating cycles  |
| Pollution degree                       | 3  |
| Protection class                       | IP65, Only in screwed condition                            |
| <b>Cable</b>                           |  |
| Cable diameter                         | Ø 3.8 mm ±0.20   |
| Cable length                           | 5 m  |
| Cable jacket                           | PTFE, White  |
| Core insulation                        | PTFE   |
| Core cross-section                     | 4 x 0.34 mm <sup>2</sup>                                   |
| Arrangement of strands                 | 7 x 0.254 mm   |
| Core colors                            | BN, WH, BU, BK   |
| <b>Electrical properties at +20 °C</b> |  |
| Rated voltage                          | 250 V  |
| Current                                | 4 A  |
| Insulation resistance                  | ≥ 10 <sup>8</sup> Ω  |

## Technical data

forward resistance  $\leq 5 \text{ m}\Omega$

### Mechanical and chemical properties

Bending radius (stationary installation)  $\geq 5 \times \varnothing$

Bending radius (flexible use)  $\geq 10 \times \varnothing$

Ambient temperature range (stationary)  $-20 \dots +150 \text{ }^\circ\text{C}$

## Circuit Diagram

