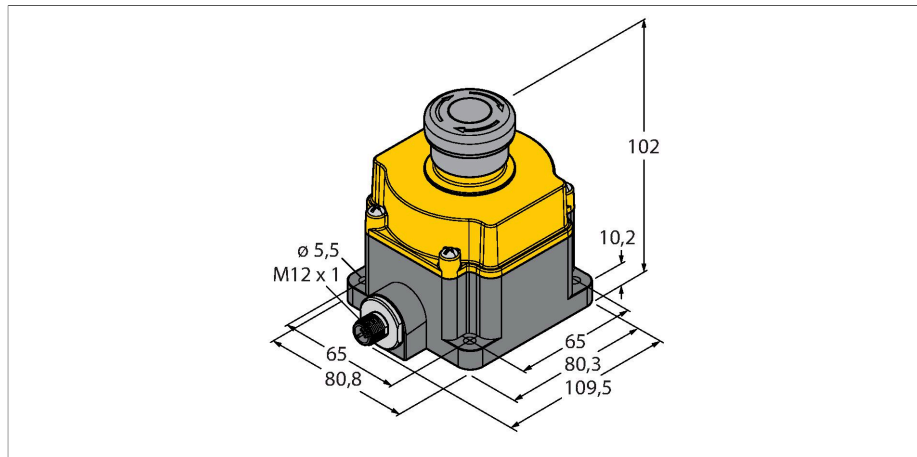


# SSA-EB1PLYR-12ED1

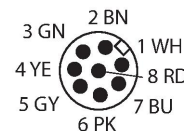
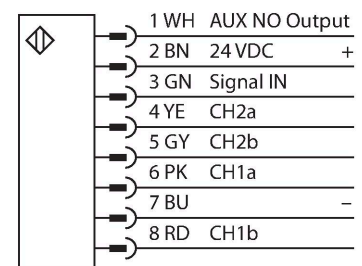
## Safety Technology – E-stop Button Illuminated



### Features

- Protection class IP65
- Non-actuated lighting: yellow steady
- Lighting circuit externally interrupted: red steady
- Actuated lighting: red flashing
- 2 safety outputs (NC, potential-free)
- 1 auxiliary output (NO, PNP)
- Terminal connection
- Access via 1/2" NPT thread opening

### Wiring diagram



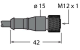
### Technical data

Type	SSA-EB1PLYR-12ED1
ID no.	3086415
Function	E-stop button, lit
Light type	Red
Output function	2 x NC (normally closed), Potential-free
Design	Rectangular
Dimensions	80.3 x 80.8 x 102.1 mm
Housing material	Plastic, PC
Cascadable	yes
Electrical connection	Terminal chamber, M12 × 1
Ambient temperature	-25...+55 °C
Relative humidity	45...85 %
Protection class	IP65
<b>Tests/approvals</b>	
Vibration resistance	10 to 500 Hz, 0.35 mm amplitude, 50 g acceleration
Shock resistance	15 g (11 ms)
Approvals	CE, cULus

### Functional principle

These electromechanical E-stop switches combine the functions of conventional switches with those of the EZ-LIGHTs. The color changes with the switching state. Local quitting of faults is possible at any time and a latch protects against unwanted quitting. The device is available as round or rectangular version. Both types are IP65 rated. Conventional types without light are also available as well as types for connection to the safety bus from Siemens or AB/ROCKWELL.

## Accessories

Dimension drawing	Type	ID no.	
	MQDC2S-806	3070975	Connection cable 1.83 m, PVC, female M12 x 1, 8-pin, black
	MQDC2S-806RA	3054616	Connection cable 1.83 m, PVC, female M12 x 1, angled, 8-pin, black