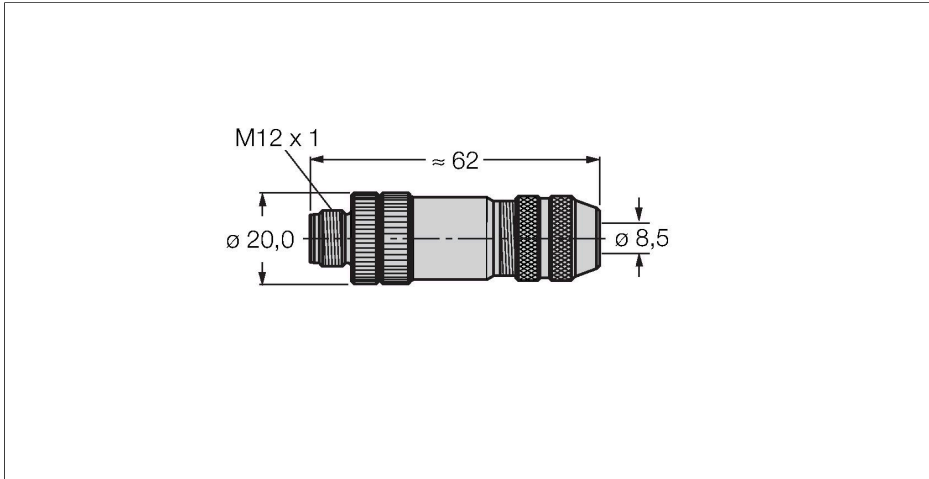


BMSWS8151-8.5

Field-Wireable Connector

Male Connector M12 × 1, Straight



Technical data

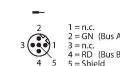
Type	BMSWS8151-8.5
ID	6904722
Connector A	Male, M12 × 1, Straight, B-coded
Number of Pins	5
Contacts	CuZn, Gold-plated
Contact carriers	Plastic, PA, Black
Connector body	Die-cast Zinc, GD-Zn, nickel-plated, Black
Coupling nut/screw	Die-cast Zinc, GD-Zn, Nickel-plated
Seal	Plastic
Screw-in thread	M18 × 1
External diameter of the cable	6...8.5 mm
Core cross-section/Clamping ability	0.14...0.75 mm ²
Connection mode	Screw/clamp connection
Mechanical lifespan	> 100 Mating cycles
Protection class	IP67, (screwed together)
Network protocol	PROFIBUS-DP
Shielding	yes
Electrical properties at +20 °C	
Rated voltage	125 V
Current	4 A
Insulation resistance	≥ 10 ⁸ Ω
forward resistance	≤ 3 mΩ
Mechanical and chemical properties	
Ambient temperature range (stationary)	-25...+85 °C

Features



- For use in PROFIBUS-DP applications
- Up to 12 Mbps
- Shielding via iris spring connection
- B-coding
- Metal housing
- Screw-clamp terminal
- 5-pin
- M18 × 1 metric screw-in thread
- Cable diameter 6.0...8.5 mm

Contact assignment



Technical data

Note

- We reserve the right to make technical modifications without prior notice.
