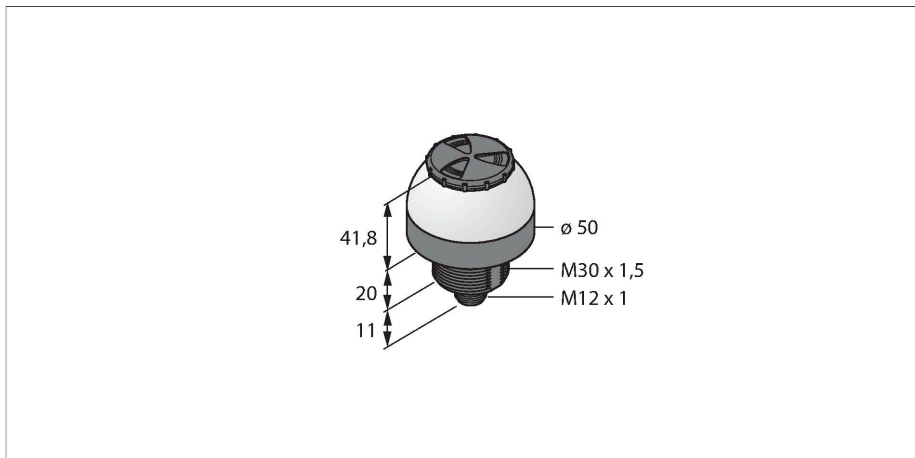


# K50LGRALSXPQ

## LED Indicator – Beacon with Audible Signal



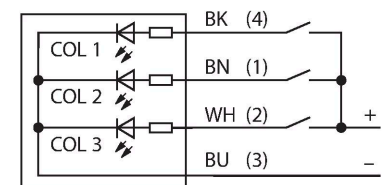
### Technical data

Type	K50LGRALSXPQ
ID	3019111
<b>Signal and display data</b>	
Purpose	LED indicator light
Function	Spotlight
Light type	Green Red
Dimmable	No
Features of color 1	Green, Permanently on
Features of color 2	Red
Acoustic signal	Continuous tone, 94 dB
Special features	Wash down
<b>Electrical data</b>	
Operating voltage	12...30 VDC
DC rated operational current	≤ 65 mA
Max. current consumption per color	35 mA
Max. current consumption of beeper	35 mA
Input type	PNP
Response time typical	< 1 ms
<b>Mechanical data</b>	
Cascadable	No
Design	Dome, K50L
Dimensions	Ø 50 x 73 mm
Housing material	Plastic, PC Thermoplastic material, Black
Window material	Polycarbonate, diffuse
Electrical connection	Connector, M12 × 1, PVC

### Features

- LED all-round visible
- Continuous signal: 94dB
- Individually controllable
- Mechanical screw-in thread M30 x 1.5
- Protection class IP67
- Multicolor: Green (COL 1) / Red (COL 2)
- Male M12 x 1, 5-pin
- Operating voltage 12...30 VDC

### Wiring diagram



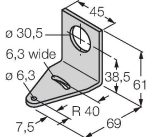
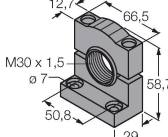
### Functional principle

The LED is IP67 / IP69k rated and qualified for indoor and outdoor applications. Depending on the connection, one of the two colors lights steady for the duration of a PNP input signal.

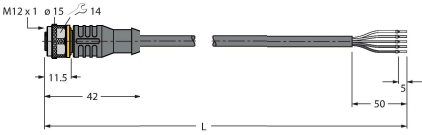
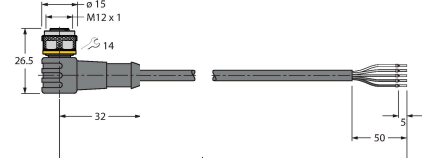
## Technical data

Number of cores	5
Ambient temperature	-20...+50 °C
Relative humidity	0...95 %
Protection class	IP67
<b>Tests/approvals</b>	
Approvals	CE, UL listed

## Accessories

<b>SMB30A</b>	<b>3032723</b>	<b>SMB30SC</b>	<b>3052521</b>
<p>Mounting bracket, rectangular, stainless steel, for sensors with 30mm thread</p> 		<p>Mounting bracket, PBT black, for sensors with 30 mm thread, rotatable</p> 	

## Accessories

Dimension drawing	Type	ID	
	RKC4.5T-2/TEL	6625016	Connection cable, M12 female connector, straight, 5-pin, cable length: 2 m, jacket material: PVC, black; cULus approval
	WKC4.5T-2/TEL	6625028	Connection cable, M12 female connector, angled, 5-pin, cable length: 2 m, jacket material: PVC, black; cULus approval