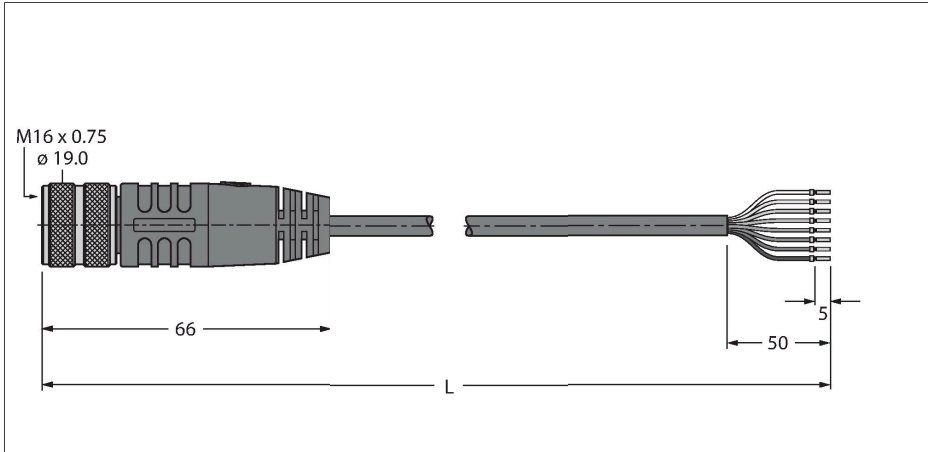


BKWM14-E03-5/S90

Actuator and sensor cable – Connection Cable



Features

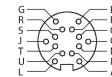


- M16 coupling, straight, 14-pin
- Jacket material: TPU
- Jacket color: black
- Flame retardant (FT1)
- Approval: UL and CSA
- RoHS-compliant
- Protection type IP67
- Cable length: 5.0 m

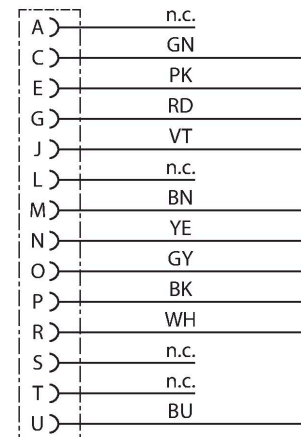
Technical data

| | |
|---------------------------------|--|
| Type | BKWM14-E03-5/S90 |
| ID | 6935117 |
| Connector A | Female, M16 × 0.75, Straight |
| Number of Pins | 14 |
| Contacts | Brass, CuZn, Gold-plated |
| Contact carriers | Plastic, TPU, Black |
| Connector body | Plastic, TPU, Black |
| Coupling nut/screw | Brass, CuZn, Nickel-plated |
| Seal | Plastic, FPM/FKM |
| Mechanical lifespan | > 100 Mating cycles |
| Pollution degree | 3 |
| Protection class | IP67 |
| Cable | |
| Network protocol | S90 |
| Cable diameter | Ø 6.9 mm ±0.15 |
| Cable length | 5 m |
| Cable jacket | TPU, Black |
| Shielding | no |
| Core insulation | PVC |
| Core cross-section | 2 x 0.52 mm ² |
| Arrangement of strands | 19 x 0.19 mm |
| Core cross-section | 8x 0.21 mm ² |
| Litz wire arrangement | 19 x0.13 mm |
| Core colors | GN, PK, RD, VT, BN, YE, GY, BK, WH, BU |
| Electrical properties at +20 °C | |
| Rated voltage | 300 V |

Contact assignment



Circuit Diagram



Technical data

Current 3 A

Mechanical and chemical properties

Bending radius (stationary installation) $\geq 5 \times \varnothing$

Bending radius (flexible use) $\geq 10 \times \varnothing$

Ambient temperature range (stationary) -40...+90 °C
