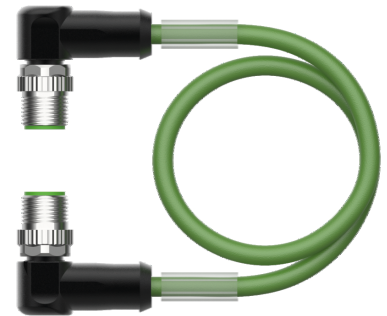
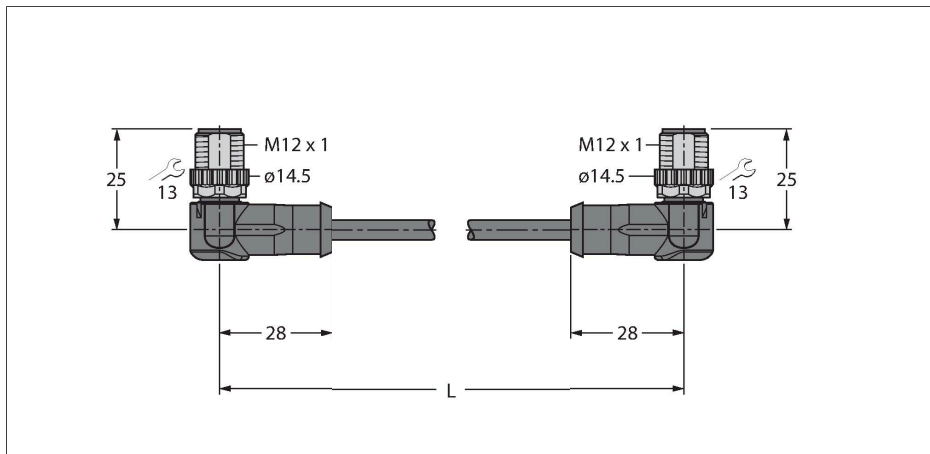


# WSSD-WSSD-4414-0.6M

## Industrial Ethernet Cable – Extension Cable



### Technical data

|                              |  |
|------------------------------|--|
| Type                         | WSSD-WSSD-4414-0.6M  |
| ID                           | 6935580  |
| Connector A                  | Male, M12 × 1, Angled, D-coded                               |
| Number of Pins               | 4  |
| Contacts                     | Metal, CuZn, Gold-plated                                     |
| Contact carriers             | Plastic, PA, UL 94, Black                                    |
| Connector body               | Plastic, TPU, UL 94, Black                                   |
| Coupling nut/screw           | Brass, GD-Zn, Nickel-plated                                  |
| Tightening torque (range)    | 0.4 ... 0.6 Nm<br>(observe max. torque of mating connector!) |
| Mechanical lifespan          | > 100 Mating cycles  |
| Pollution degree             | 3/2  |
| Protection class             | IP67, Only in screwed condition                              |
| Connector B                  | Male, M12 × 1, Angled, D-coded                               |
| Number of pins               | 4  |
| Contacts                     | Metal, CuZn, Gold-plated                                     |
| Contact carriers             | Plastic, PA, UL 94, Black                                    |
| Connector body               | Plastic, TPU, UL 94, Black                                   |
| Coupling nut/retaining screw | Brass, GD-Zn, Nickel-plated                                  |
| Tightening torque            | 0.4 ... 0.6 Nm (observe max. torque of mating connector!)    |
| Mechanical life              | > 100 Mating cycles  |
| Pollution degree             | 3/2  |
| Protection class             | IP67, Only when screwed together                             |
| Cable                        |  |
| Network protocol             | Ethernet, 4414   |
| Cable diameter               | Ø 4.8 mm ±0.30   |

### Features



- M12 male connector, angled, D-coded
- M12 male connector, angled, D-coded
- Ethernet cable: 4-pin, AWG 26
- CAT 5E acc. to ISO/IEC 11801, EN 50173, EIA/TIA 568-A
- Jacket material: PUR
- Jacket color: green
- Shielding: Aluminum-laminated polyester film, copper braid
- Jacket diameter: 4.8 mm
- Suitable for drag chain use
- UV resistant
- Oil resistant acc. to IEC 60811-2-1 and DIN VDE 0282 part 10
- Free from silicone, PVC and LABS
- Free from halogen acc. to IEC 60754-2
- Flame retardant acc. to IEC 60332-1-2
- Approval: cULus
- RoHS compliant
- Protection class IP67
- Cable length: 0.6 m

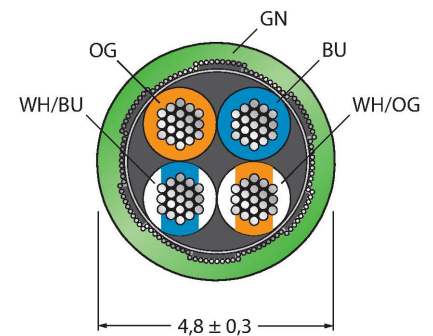
### Cable Cross-Section

## Technical data

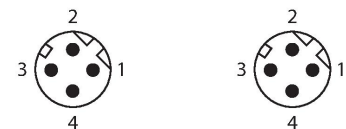
|   |                                   |
|---|-----------------------------------|
| Cable length                              | 0.6 m                             |
| Cable jacket                              | PUR, Green                        |
| Shielding                                 | Aluminum foil, tinned copper wire |
| Core insulation                           | PP                                |
| Core cross-section                        | 4 x 0.15 mm <sup>2</sup>          |
| Arrangement of strands                    | 19 x 0.102 mm                     |
| Core colors                               | WHOG, WHBU, BU, OG                |
| <b>Electrical properties at +20 °C</b>    |                                   |
| Rated voltage                             | 42 V                              |
| Test voltage                              | 700 V                             |
| Current                                   | 3 A                               |
| Nom. impedance                            | 100 Ω (1MHZ)                      |
| Nom. capacitance                          | 51 pF/m                           |
| <b>Mechanical and chemical properties</b> |                                   |
| Bending radius (stationary installation)  | ≥ 15 x Ø                          |
| Bending cycles                            | ≥ 5 million                       |
| Torsional stress                          | ± 30 °/m                          |
| Torsion cycles                            | ≤ 100,000 Cycles                  |
| Ambient temperature range (stationary)    | -40...+80 °C                      |
| Ambient temperature range (In motion)     | -25...+80 °C                      |
| <b>Other Features</b>                     |                                   |
| Qualified for drag chain use              | yes                               |
| Halogen-free                              | yes                               |
| Silicone-free                             | yes                               |
| PVC-free                                  | yes                               |
| Resistant to weld splatter                | yes                               |
| Resistant to chemicals                    | yes                               |
| UV resistance                             | yes                               |
| Oil-resistant                             | yes                               |
| Flame-retardant                           | yes                               |
| Approvals                                 | cULus                             |

## Accessories

|   |         |
|---|---------|
| TORQUE-WRENCH-SET-BUS   | 6936171 |
| Torque wrench set; grip with adjustable torque 0.4 to 1.0 Nm; torque wrench set, fork wrench for M8 (SW9), fork wrench for M12 (SW13), fork wrench for M12 (SW14) |         |



## Contact assignment



## Circuit Diagram

