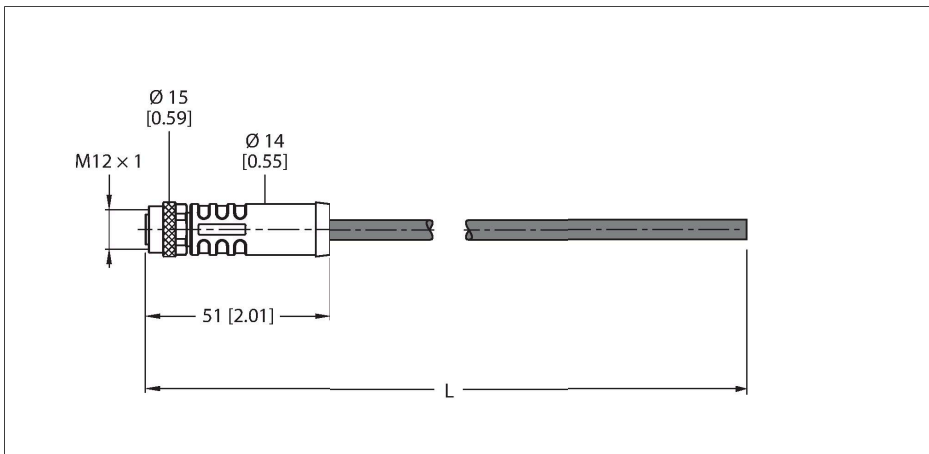


# RKP46PTA-2/TXL

## Supply Cable — M12 Power – Connection Cable



### Technical data

Type	RKP46PTA-2/TXL
ID	100038858
Connector A	Female, M12 × 1, Straight, T-coded
Number of Pins	4
Contacts	Brass, CuZn, Gold-plated
Contact carriers	Plastic, PA, Black
Connector body	Plastic, TPU, Black
Coupling nut/screw	Brass, CuZn, Nickel-plated
Seal	Plastic, FPM/FKM
Tightening torque	1 Nm
Mechanical lifespan	> 100 Mating cycles
Pollution degree	3
Protection class	IP65, IP67, IP68, Only in screwed condition

<b>Cable</b>	
Cable diameter	Ø 9.6 mm ±0.20
Cable length	2 m
Cable jacket	PUR, Black
Core insulation	PP
Core cross-section	4 x 1.5 mm <sup>2</sup>
Core colors	BN, WH, BU, BK

<b>Electrical properties at +20 °C</b>	
Rated voltage	50 V <sub>AC</sub> /63 V <sub>DC</sub>
Current	12 A

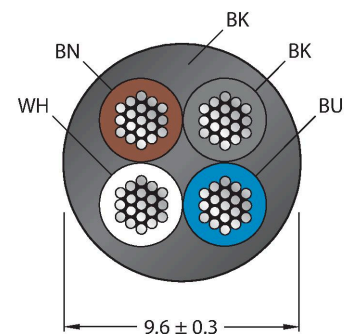
<b>Mechanical and chemical properties</b>	
Bending radius (stationary installation)	≥ 4 x Ø
Bending radius (flexible use)	≥ 8 x Ø
Bending cycles	≥ 8 million

### Features



- M12 female connector, T-coded, straight, 4-pin
- Jacket material: PUR
- Jacket color: black
- Highly resistant to oils, coolants, lubricants and emulsions
- Suitable for drag chain use
- Resistant to vibrations and shocks
- Flame retardant
- Halogen free
- Norms: CE, UKCA and RoHS
- Protection class: IP65, IP67, IP68
- Cable length: 2.0 m

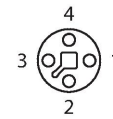
### Cable Cross-Section



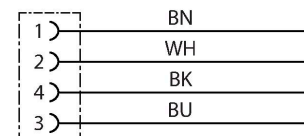
### Contact assignment

## Technical data

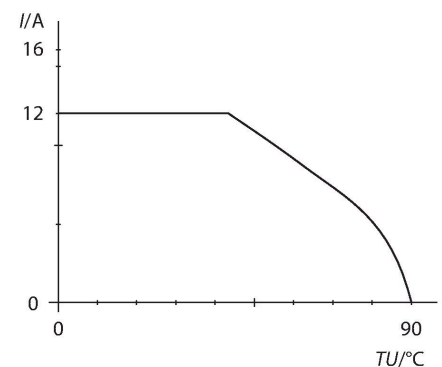
Admissible acceleration	max. 5 m/s <sup>2</sup>
Admissible travel path, horizontal	5 m (at 5 m/s <sup>2</sup> )
Torsional stress	± 270 °/m
Ambient temperature range (stationary)	-40...+80 °C
Ambient temperature range (In motion)	-30...+80 °C
Ambient temperature during drag chain operation	-25...+60 °C
Qualified for drag chain use	yes
Halogen-free	yes
Oil-resistant	yes
Flame-retardant	yes



## Circuit Diagram



## Derating Curve



## Accessories

Dimension drawing	Type	ID	
	LABEL-HOLDER-FLEX-PVC	100048170	PVC label holder for identification of extension cables (TEL/TXL product series); for cable diameters: min. 5 mm; dimensions 4 × 18 mm; delivery unit: 50 pcs. per package
	VH2-M12T-M4-2F4	100028589	Small h-splitter, M12 Power, T-coded, 4-pin
	VH3-M12T-M4-3F4	100028593	Large H-splitter, M12 Power, T-coded, 4-pin
	VT2-M12T-M4-2F4	100028581	T-splitter, M12 Power, T-coded, 4-pin
	FW-ERSPM0414-PT-S-0810	100026335	Field-wireable male connector, M12 Power, T-coded, straight, 4-pin, screw terminal connection, cable feedthrough 8.0 to 10 mm, core cross-section/terminal capacity 1.5 to 2.5 mm <sup>2</sup> , plastic housing, metal retaining screw