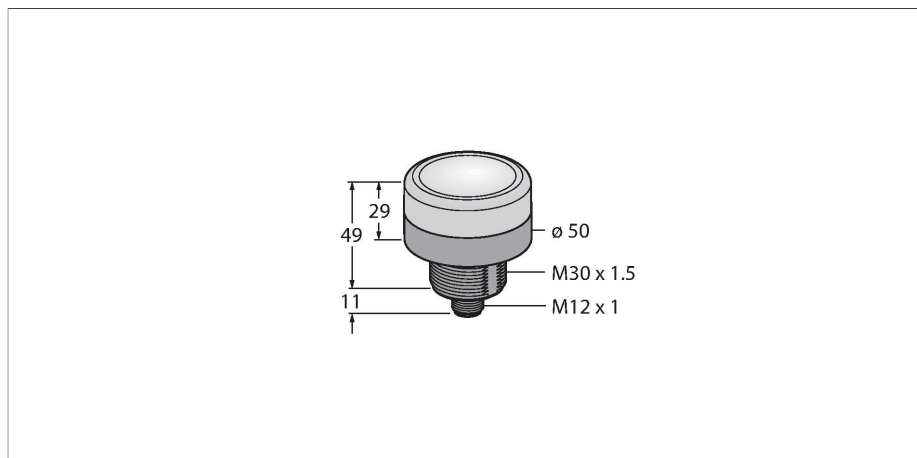


K50BLYXXPQ

LED Indicator – Beacon



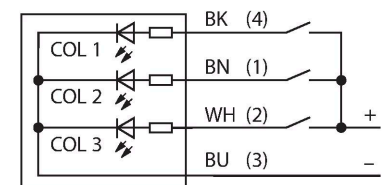
Technical data

Type	K50BLYXXPQ
ID	3020097
Signal and display data	
Purpose	LED indicator light
Function	Spotlight
Light type	Yellow
LED service life (L70)	50000 h
Dimmable	No
Features of color 1	Yellow, Permanently on
Special features	Wash down
Electrical data	
Operating voltage	12...30 VDC
DC rated operational current	≤ 140 mA
Max. current consumption per color	140 mA
Input type	PNP
Response time typical	< 7 ms
Mechanical data	
Cascadable	No
Design	Puck, K50BL
Dimensions	Ø 50 x 60 mm
Housing material	Plastic, PC, Black
Window material	Polycarbonate, clear
Electrical connection	Connector, M12 × 1, PVC
Number of cores	4
Ambient temperature	-40...+50 °C
Relative humidity	0...90 %
Protection class	IP67

Features

- LED all-round visible
- Side view
- Individually controllable
- Screw-in thread M30x1.5
- Protection class IP67
- Monochrome: Yellow (COL 1)
- Male M12x1
- Operating voltage 12...30 VDC

Wiring diagram



Functional principle

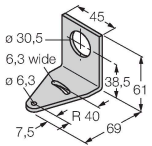
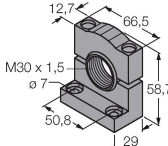
The LED is IP67 / IP69k rated and qualified for indoor and outdoor applications. Depending on the connection, one of the two colors lights steady for the duration of a PNP input signal.

Technical data

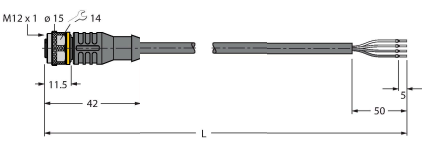
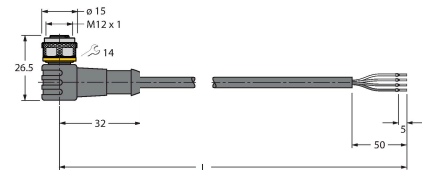
IP69

Tests/approvals	
Approvals	CE, cULus listed

Accessories

SMB30A	3032723	SMB30SC	3052521
	Mounting bracket, rectangular, stainless steel, for sensors with 30mm thread		Mounting bracket, PBT black, for sensors with 30 mm thread, rotatable

Accessories

Dimension drawing	Type	ID	
	RKC4.4T-2/TEL	6625013	Connection cable, M12 female connector, straight, 4-pin, cable length: 2 m, jacket material: PVC, black; cULus approval
	WKC4.4T-2/TEL	6625025	Connection cable, M12 female connector, angled, 4-pin, cable length: 2 m, jacket material: PVC, black; cULus approval