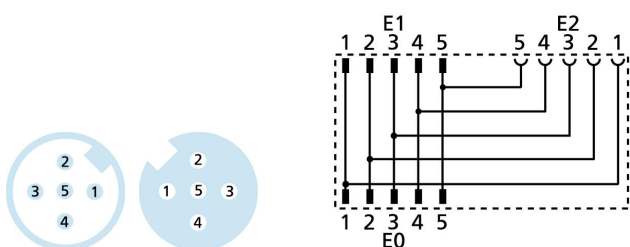
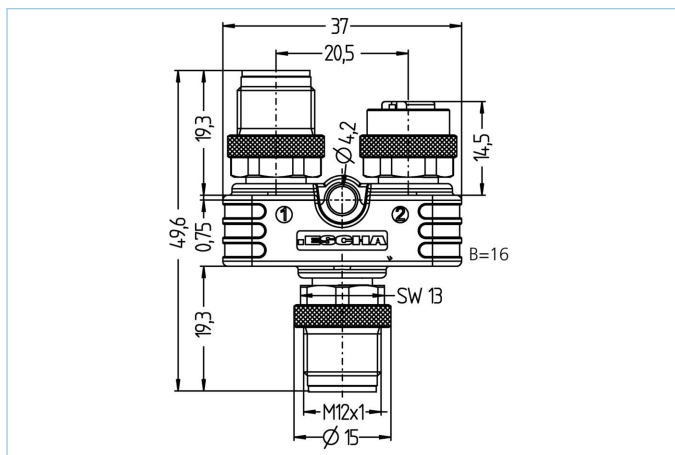


Y-splitter, M12, male, straight, 5 poles, M12, male, straight, 5 poles, M12, female, straight, 5 poles, shielded



Product data

| | |
|--------------------|-------------------------|
| Item description | Y-WASS5-WASS5-WAKS5 |
| Item-No. | 8057721 |
| Customs tariff-No. | 85366990 |
| Step-File | Y-WASS5-WASS5-WAKS5.stp |
| EAN | 4047106141639 |

| Technical data | Exit 0 | Exit 1 | Exit 2 |
|--------------------------|----------------------------|----------------------------|----------------------------|
| Connector | male, M12 | male, M12 | female, M12 |
| Contact material | Metal, CuZn, gold-plated | Metal, CuZn, gold-plated | Metal, CuZn, gold-plated |
| Contact-carrier material | Plastic, TPU, BK | Plastic, TPU, BK | Plastic, TPU, BK |
| Coupling nut material | Metal, CuZn, nickel-plated | Metal, CuZn, nickel-plated | Metal, CuZn, nickel-plated |
| Rated voltage | 60V | 60V | 60V |
| Coding of | A | A | A |
| Number of pins | 5 | 5 | 5 |
| Current load (at 40°C) | 4A | 4A | 4A |

| | |
|--------------------------------|--------------------|
| Insulation resistance | ≥10 ⁹ Ω |
| Ambient temperature product | -30°C...+90°C |
| Grip body material | Plastic, TPU, BK |
| Sealing (female) material | FPM/FKM |
| Shielding | with shielding |
| Mechanical life-cycle | >100 mating cycles |
| Standards | IEC 61076-2-101 |
| Degree of protection (mounted) | IP65, IP67, IP68 |
| Degree of pollution | 3 |

Classification

| | |
|------------|----------|
| eCl@ss 6.0 | 27279201 |
| eCl@ss 7.0 | 27279201 |
| eCl@ss 8.0 | 27279201 |
| eCl@ss 9.0 | 27440106 |
| ETIM 5.0 | EC002062 |
| ETIM 6.0 | EC002925 |

Link to product

<https://www.escha.net/en/products/standard/t-splitters-y-splitters/8057721>