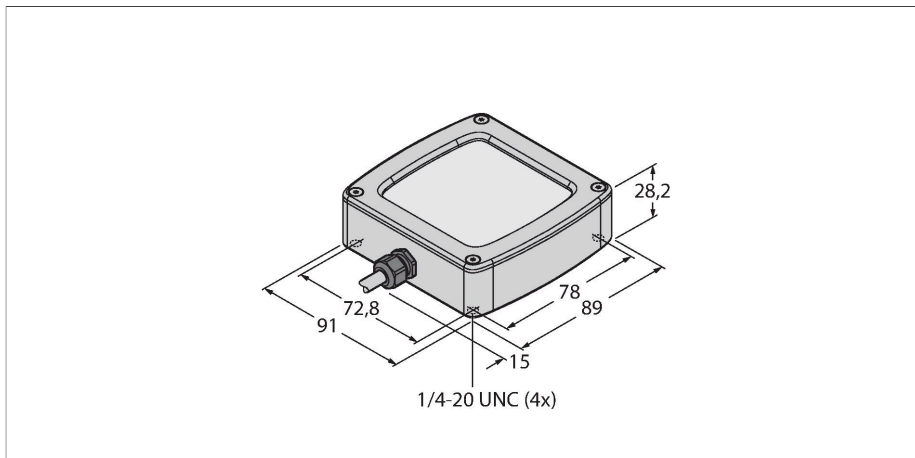


WLC90WL30 Work Light



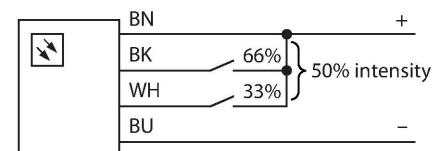
Technical data

| | |
|--------------------------------|---|
| Type | WLC90WL30 |
| ID | 3086526 |
| Signal and display data | |
| Purpose | LED work light |
| Function | Area light |
| Light type | White |
| Color temperature | 6000...+7100 K |
| Luminous flux lumen | 700 lm |
| Aperture angle degree | 30 ° |
| Beam angle | 30° |
| LED service life (L70) | 50000 h |
| Dimmable | Two-stage |
| Features of color 1 | White, Permanently on, 700 lm |
| Special features | Chemical-resistant Wash down Resistant to chemicals |
| Electrical data | |
| Operating voltage | 12...30 VDC |
| DC rated operational current | ≤ 850 mA |
| Input power | 10.2 W |
| Mechanical data | |
| Cascadable | No |
| Design | Rectangular, WLC90 |
| Dimensions | 91 x 103.7 x 28.2 mm |
| Housing material | Metal, AL |
| Window material | Polycarbonate, clear |
| Electrical connection | Cable, 2 m, PVC |

Features

- Operating voltage: 12...30 VDC
- Protection class IP67/IP69K
- Ambient temperature: -40 °C...+70 °C
- Window material: Polycarbonate
- Opening angle: 30°
- Mounted via 4 × 1/4"-20 UNC screws
- Color: White
- Internal temperature regulation
- Cable, 2 m, 4-pin, side outlet

Wiring diagram



Functional principle

The energy-efficient LED work lights are ideally suited for industrial applications. The color temperature lies in the range of daylight, between 6,000 and 7,100 Kelvin. The flux is 700 lumen. The device is immediately operational upon application of power (10...30 VDC).
Luminous flux
The work lights are available with 8°, 15° and 30° aperture angle.

Technical data

| | |
|------------------------|----------------------|
| Number of cores | 4 |
| Ambient temperature | -40...+70 °C |
| Storage temperature | -40...+70 °C |
| Protection class | IP67 IP68 IP68 |
| Tests/approvals | |
| Approvals | CE, UL |

Accessories

| | | | |
|-------------------|--|-------------------|--|
| SMBAMS70AS | 3012127 | LMBWLC90PT | 3086466 |
| | Mounting bracket, right-angled, stainless steel, for WLC90 work lights, screw kit included | | Mounting bracket, right-angled, stainless steel, two-part, two-way rotation, for WLC90 work lights, screw kit included |

Accessories

| | | | |
|--------------------------|--------------|-----------|--|
| Dimension drawing | Type | ID | |
| | RKH4.5-2/TFG | 6933455 | Connection cable, M12 female connector, straight, 5-pin, stainless steel coupling nut, cable length: 2 m, jacket material: TPE, gray; temperature range: -40...+105 °C |

