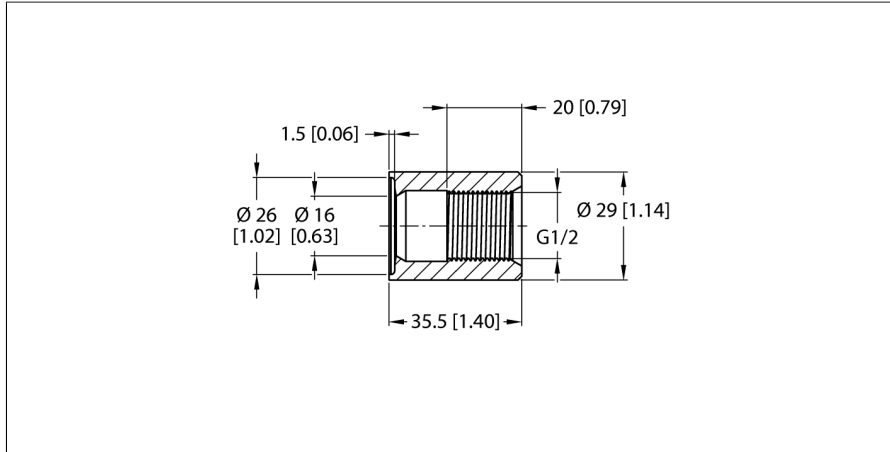


# Accessories

## Weld Collar Sleeve without Control Bore For NCLS Capacitive Limit Level Sensors NCLS-WA2



- Welding sleeve for bin
- Suitable for NCLS limit level sensors

Type	NCLS-WA2
ID	100004431

Mounting location	any
Installation information	Welding work required!
Pressure resistance	10 bar
Medium temperature	0...+140 °C
CIP/SIP-capable	yes

Tests/approvals	
Warning	Protect against mechanical damage

Mechanical data	
Design	Accessories for threaded barrel
Dimensions	35.5 x 29 x 29 mm
Housing material	Stainless steel, 1.4404 (AISI 316L)
Materials (contact with media)	Stainless steel 1.4404 (AISI 316L)
Process connection	Welded installation
Protection class	IP67
	When installed

### Functional principle

The welding concept for limit level sensors from the NCLS product series allows process adapters to be freely positioned without threads in a flow channel or tank.

The welding adapter is welded on to the corresponding exterior wall of the stainless steel tank or pipe. The sensor is then fixed directly into the adapter (or the welding sleeve).

The screw-in adapters are available in all standard industrial shapes and sizes. The system consisting of the sensor and welding adapter can therefore be adjusted easily to a wide range of application requirements.