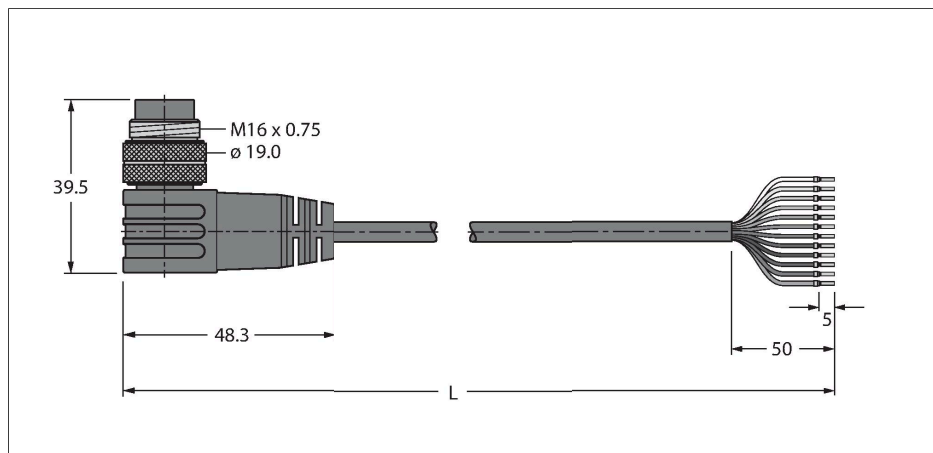


BSWM19-E01-2/S90 (OBS)

Actuator and sensor cable – Connection Cable



Features

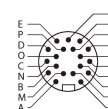


- M16 connector, male, angled, 19-pin
- Sheath material: TPU
- Sheath color: black
- Flame-retardant (FT1)
- Approval: UL and CSA
- RoHS-compliant
- Protection class IP67
- Cable length: 2.0 m

Technical data

Type	BSWM19-E01-2/S90 (OBS)
ID	6935132
Connector A	Male, M16 × 0.75, Angled
Number of Pins	19
Contacts	Brass, CuZn, Gold-plated
Contact carriers	Plastic, TPU, Black
Connector body	Plastic, TPU, Black
Coupling nut/screw	Brass, CuZn, Nickel-plated
Mechanical lifespan	> 100 Mating cycles
Pollution degree	3
Protection class	IP67
Cable	
Network protocol	S90
Cable diameter	Ø 7.9 mm ±0.30
Cable length	2 m
Cable jacket	TPU, Black
Shielding	no
Core insulation	PVC
Core cross-section	2 x 0.52 mm ²
Arrangement of strands	19 x 0.19 mm
Core cross-section	16x 0.21 mm ²
Litz wire arrangement	19 x 0.13 mm
Core colors	WH/GY, WH/YE, GN, RD, GY/PK, PK, RD/BU, BK, BN/GN, YE/BN, GY/BN, BN, YE, GY, WH/GN, WH, VT, BU
Electrical properties at +20 °C	
Rated voltage	300 V
Current	3 A

Contact assignment



Circuit Diagram

A	WH/GY
B	WH/YE
C	GN
D	RD
E	GY/PK
F	PK
G	RD/BU
H	BK
J	BN/GN
K	YE/BN
L	GY/BN
M	BN
N	YE
O	GY
P	WH/GN
R	WH
S	VT
T	n.c.
U	BU

Technical data

Mechanical and chemical properties

Bending radius (stationary installation)	$\geq 5 \times \varnothing$
Bending radius (flexible use)	$\geq 10 \times \varnothing$
Ambient temperature range (stationary)	-40...+90 °C