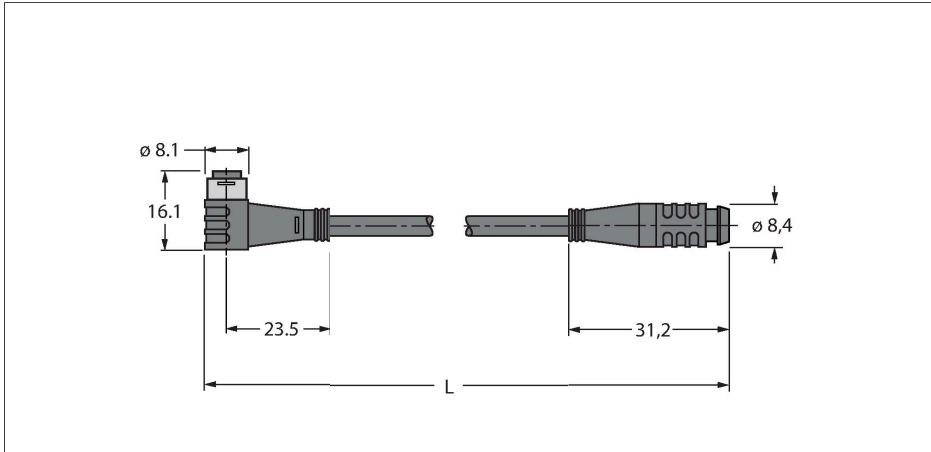


# PKW3S-1-PSG3S/TEL

## Actuator and Sensor Cable, PVC – Extension Cable



### Features

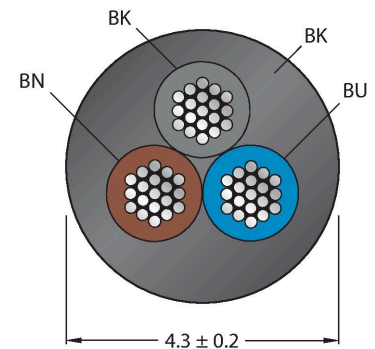


- Female Ø 8 mm, angled, 3-pin, snap-on type
- Male Ø 8 mm, straight, 3-pin, snap-on type
- Sheath material: PVC
- Sheath color: black
- Resistant to chemicals and oils
- Flame retardant
- Resistant to acids and alkaline solutions
- Resistant to microbes and hydrolysis
- LABS free
- RoHS conform
- Protection class IP67
- Cable length: 1.0 m

### Technical data

|                           |  |
|---------------------------|--|
| Type                      | PKW3S-1-PSG3S/TEL  |
| ID                        | 6627360  |
| Connector A               | Female, Ø 8 mm, Angled                                       |
| Number of Pins            | 3  |
| Contacts                  | Brass, CuZn, Gold-plated                                     |
| Contact carriers          | Plastic, TPU, Black  |
| Connector body            | Plastic, TPU, Black  |
| Seal                      | Plastic, FPM/FKM   |
| Tightening torque (range) | 0.5 ... 0.6 Nm<br>(observe max. torque of mating connector!) |
| Mechanical lifespan       | > 100 Mating cycles  |
| Pollution degree          | 3  |
| Protection class          | IP67, (plugged)  |
| Connector B               | Male, Ø 8 mm, Straight                                       |
| Number of pins            | 3  |
| Contacts                  | Brass, CuZn, Gold-plated                                     |
| Contact carriers          | Plastic, TPU, Black  |
| Connector body            | Plastic, TPU, Black  |
| Tightening torque         | 0.5 ... 0.6 Nm<br>(observe max. torque of mating connector!) |
| Mechanical life           | > 100 Mating cycles  |
| Pollution degree          | 3  |
| Protection class          | IP67, (Plugged)  |
| Cable                     |  |
| Cable diameter            | Ø 4.3 mm ±0.20   |
| Cable length              | 1 m  |
| Cable jacket              | PVC, Black   |

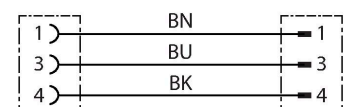
### Cable Cross-Section



### Contact assignment



### Circuit Diagram

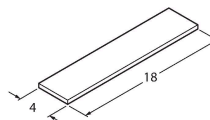


## Technical data

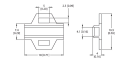
|   |  |
|---|--|
| Core insulation                           | PVC                                    |
| Core cross-section                        | 3 x 0.34 mm <sup>2</sup>               |
| Arrangement of strands                    | 42 x 0.1 mm                            |
| Core colors                               | BN, BU, BK                             |
| <b>Electrical properties at +20 °C</b>    |  |
| Rated voltage                             | 50 V <sub>AC</sub> /60 V <sub>DC</sub> |
| Test voltage                              | 2000 V                                 |
| Current                                   | 4 A                                    |
| Insulation resistance                     | > 30.5 MΩ/km                           |
| forward resistance                        | max. 57 Ω/km                           |
| <b>Mechanical and chemical properties</b> |  |
| Bending radius (stationary installation)  | ≥ 5 x Ø                                |
| Bending radius (flexible use)             | ≥ 10 x Ø                               |
| Ambient temperature range (stationary)    | -40...+105 °C                          |
| Ambient temperature range (In motion)     | -5...+80 °C                            |
| Approvals                                 | cULus                                  |

## Accessories

|   |         |   |         |
|---|---------|---|---------|
| <b>TORQUE-WRENCH-SET-AS</b>   | 6936170 | <b>BLANK-LABEL-FOR-CORDSETS-TEL-TXL</b>   | 6936206 |
| Torque wrench set; handles with adjustable torque 0.4-1.0 Nm, torque wrench for M8 (SW9), fork wrench for M12 (SW 14) |         | Label for TEL and TXL cables, length: 18 mm, height: 4 mm, material: polycarbonate (PC), color: white, halogen-free and flame-retardant |         |



## Accessories

| Dimension drawing   | Type                  | ID        |  |
|---|-----------------------|-----------|--|
|  | LABEL-HOLDER-FLEX-PVC | 100048170 | PVC label holder for identification of extension cables (TEL/TXL product series); for cable diameters: min. 5 mm; dimensions 4 x 18 mm; delivery unit: 50 pcs. per package |