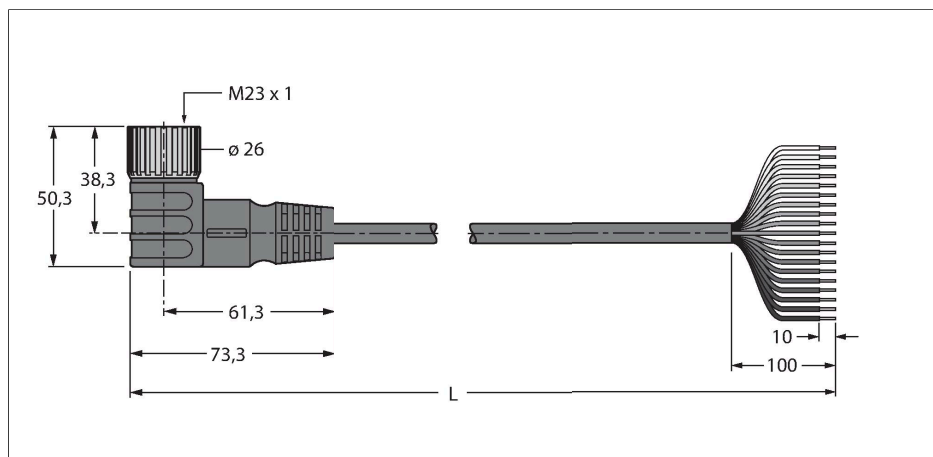


# CKWM19-19-2/TXL

## Supply Cable for Multiple Passive Junction Box, TPU – Connection Cable

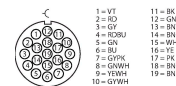


### Features



- M23 female, angled, 19-pin
- Jacket material: TPU
- Jacket color: black
- Flame retardant acc. to FT1
- Free from halogen, silicone and PVC
- Particularly resistant to abrasion
- RoHS compliant
- Protection class IP67
- Cable length: 2.0 m

### Contact assignment



- 1 = VT
- 2 = RD
- 3 = GY
- 4 = RDBU
- 5 = GN
- 6 = BU
- 7 = GYPK
- 8 = GWGH
- 9 = WYWH
- 10 = GYWH
- 11 = BK
- 12 = GNYE
- 13 = BNGE
- 14 = BNGN
- 15 = WH
- 16 = YE
- 17 = BK
- 18 = BNGY
- 19 = BN

### Functional principle

Nominal current 9 A (pins 6, 12, 19)  
Nominal current 2 A (other pins)

### Technical data

Type	CKWM19-19-2/TXL
ID	6631214
Connector A	Female, M23 × 1, Angled
Number of Pins	19
Contacts	Brass, CuZn, Gold-plated
Contact carriers	Plastic, TPU, Gray
Connector body	Plastic, TPU, Black
Coupling nut/screw	Brass, CuZn, Nickel-plated
Seal	Plastic, FPM/FKM
Mechanical lifespan	> 100 Mating cycles
Pollution degree	3
Protection class	IP67, Only in screwed condition
<b>Cable</b>	
Cable diameter	Ø 8.9 mm ±0.30
Cable length	2 m
Cable jacket	TPU, Black
Core insulation	PP
Core cross-section	16 x 0.32 mm <sup>2</sup>
Arrangement of strands	19 x 0.23 mm
Core cross-section	3x 0.82 mm <sup>2</sup>
Litz wire arrangement	19 x0.15 mm
Core colors	VT, RD, GY, RDBU, GN, BU, GYPK, WHGN, WHYE, WHGY, BK, GNYE, YE, BN, BNGN, WH, YE, PK, GYBN, BN
<b>Electrical properties at +20 °C</b>	
Rated voltage	150 V
Current	2 A

## Technical data

### Mechanical and chemical properties

Bending radius (stationary installation)	$\geq 5 \times \varnothing$
Bending radius (flexible use)	$\geq 10 \times \varnothing$
Ambient temperature range (stationary)	-40...+80 °C