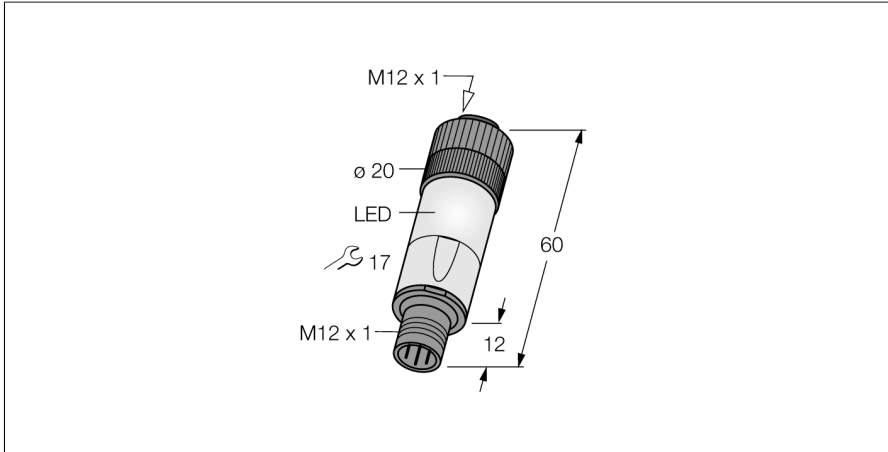


Accessories

Smart Plug

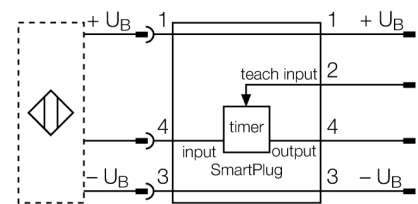
Input/Output Delay

SPT1-AP6X



- multifunctional adapter for connection to standard sensors
- Degree of protection IP67
- 4-pin M12 x 1, female connector
- 4-pin M12 x 1, male connector

Wiring Diagram



Type	SPT1-AP6X
ID	A0626
Operating voltage	10...30 VDC
Output function	4-wire
Insulation class	□
Dimensions	60 mm
Housing material	Plastic, PBTP
Ambient temperature	0...+60 °C
Protection class	IP67

Functional principle

The SmartPlug Timer SPT1-AP6X completes the functionality scope of the connected sensor with ON or OFF delay. Both functions can be adjusted with teach. The SmartPlug can be used for PLC suited stretching of very short signals.

Function accessories

Type code	Ident no.		Dimension drawing
VB2-SP1	A3501-29	Teach adapter	