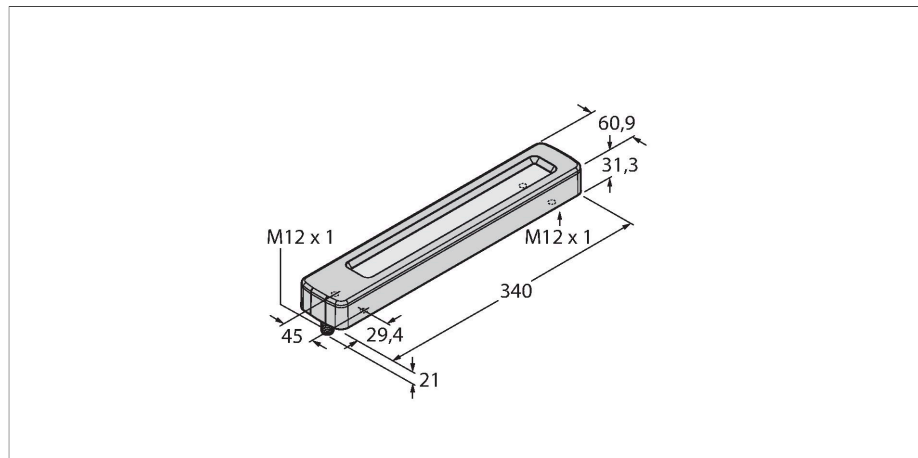


WLC60CW340GAR

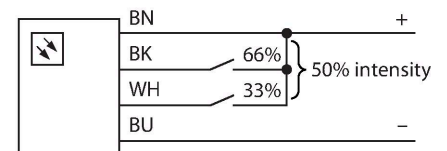
Work Light



Features

- Cascadable
- Operating voltage: 12...30 VDC
- Protection class IP67/IP69K
- Ambient temperature: -40 °C...+70 °C
- Window material: borosilicate glass
- Housing length: 340 mm
- Monochrome: Cold white
- High protection classes IP67 / IP69K
- Cable, 2 m, 4-pin, rear outlet

Wiring diagram



Technical data

| | |
|--------------------------------|---|
| Type | WLC60CW340GAR |
| ID | 3086876 |
| Signal and display data | |
| Purpose | LED work light |
| Function | Linear light |
| Light type | White |
| Color temperature | 5650...+6700 K |
| Luminous flux lumen | 1300 lm |
| LED service life (L70) | 50000 h |
| Dimmable | Two-stage |
| Features of color 1 | White, Permanently on, 1300 lm |
| Special features | Chemical-resistant Wash down Resistant to chemicals |
| Electrical data | |
| Operating voltage | 12...30 VDC |
| DC rated operational current | ≤ 1.4 mA |
| Input power | 16.8 W |
| Mechanical data | |
| Cascadable | Yes |
| Design | Rectangular, WLC60 |
| Dimensions | 339.9 x 60.9 x 52.8 mm |
| Housing material | Metal, Nickel-plated aluminum |
| Window material | Glass, clear |
| Electrical connection | Cable, 2 m, PVC |
| Number of cores | 4 |
| Ambient temperature | -40...+70 °C |

Functional principle

The energy-efficient LED work lights are ideally suited for industrial applications. The color temperature lies in the range of daylight, between 6,000 and 7,100 Kelvin. Depending on the model, the luminous flux is 1,300 or 2,600 lumen. The WLC60 series withstands the toughest environmental conditions and offers a high brightness. Cascadable variants are also available.

Technical data

| | |
|------------------|----------------------|
| Protection class | IP67 IP68 IP68 |
|------------------|----------------------|

Tests/approvals

| | |
|-----------|--------|
| Approvals | CE, UL |
|-----------|--------|

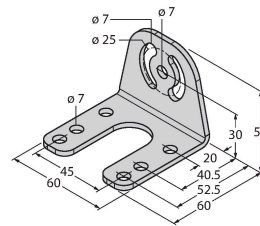
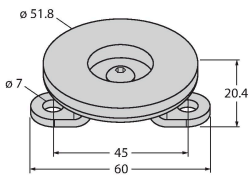
Accessories

LMBWLC60MAG

3086909

LMBWLC60RA

3086908



Accessories

Dimension drawing

Type
RKH4.5-2/TFG

ID
6933455

Connection cable, M12 female connector, straight, 5-pin, stainless steel coupling nut, cable length: 2 m, jacket material: TPE, gray; temperature range: -40...+105 °C

