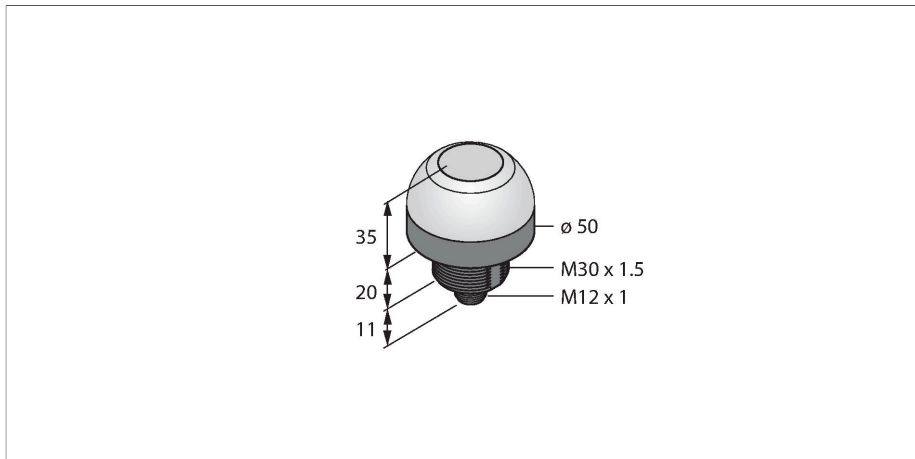


K50APXYHQ

Pick-to-Light – Placement Sensor

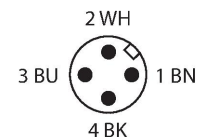
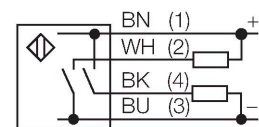
Capacitive Button



Features

- Protection classes IP67 / IP69K
- Male M12 x 1, 5-pin
- Disabled: No color
- Enabled: Yellow (COL 2)
- Operating voltage 10...30 VDC
- Bipolar circuit
- NO contact

Wiring diagram



Functional principle

The K50 placement sensor is suitable for many mounting and component placement applications. LED light is reflected perfectly by the entire dome. The device has two display colors depending on the version: Color 1 Shows the disabled state, color 2 the enabled state. Since the device has no inputs, a color change is exclusively realized by touching the sensor (enable). Devices with a hold function keep the enabled state, even when the contact ends.

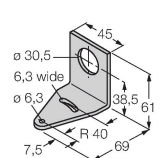
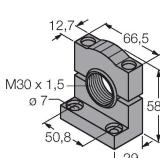
Technical data

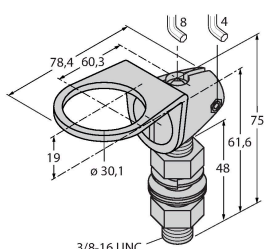
Type	K50APXYHQ
ID	3086850
Signal and display data	
Purpose	Pick-to-Light
Function	Touch Button
Light type	Yellow
LED service life (L70)	50000 h
Switch Function	Momentary
Features of color 1	Yellow, Permanently on
Special features	I/O module-compatible Wash down
Electrical data	
Operating voltage	12...30 VDC
DC rated operational current	≤ 150 mA
Max. current consumption per color	75 mA
Output function	NO contact, PNP/NPN
Input type	PNP
Response time typical	< 50 ms
Mechanical data	
Design	Dome, K50
Dimensions	Ø 50 x 66 mm
Housing material	Plastic, PC, Black
Window material	Polycarbonate, diffuse
Electrical connection	Connector, M12 × 1, PVC
Number of cores	5
Ambient temperature	-40...+50 °C

Technical data

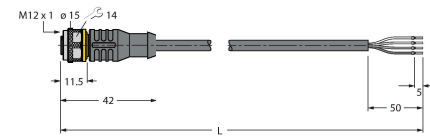
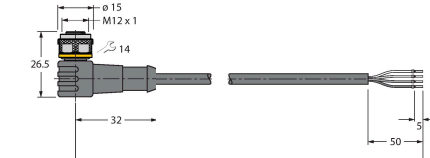
Relative humidity	0...90 %
Protection class	IP67 IP69
Tests/approvals	
MTTF	146 years acc. to SN 29500 (Ed. 99) 40 °C
Approvals	CE, UL listed

Accessories

SMB30A	3032723	SMB30SC	3052521
 <p>Mounting bracket, rectangular, stainless steel, for sensors with 30mm thread</p>		 <p>Mounting bracket, PBT black, for sensors with 30 mm thread, rotatable</p>	

SMB30FA	3074005
 <p>Montagewinkel; Werkstoff VA 1.4401</p>	

Accessories

Dimension drawing	Type	ID	
	RKC4.4T-2/TEL	6625013	Connection cable, M12 female connector, straight, 4-pin, cable length: 2 m, jacket material: PVC, black; cULus approval
	WKC4.4T-2/TEL	6625025	Connection cable, M12 female connector, angled, 4-pin, cable length: 2 m, jacket material: PVC, black; cULus approval