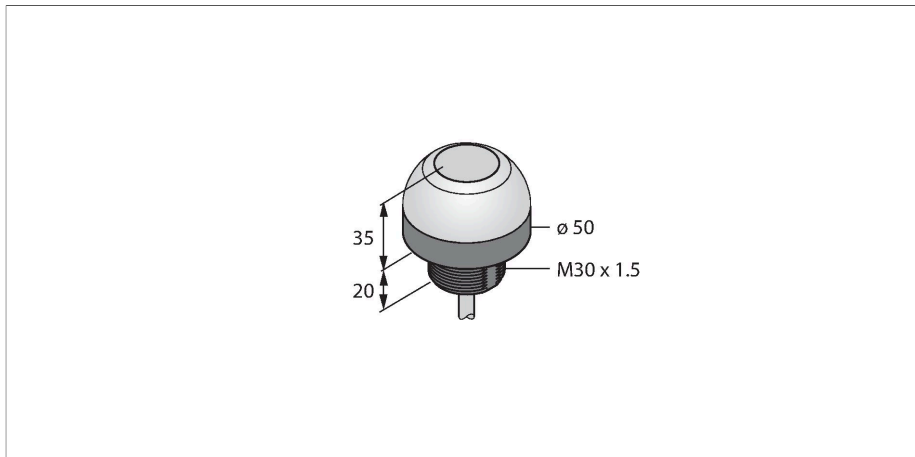


K30ALBTRGH

Pick-to-Light – Placement Sensor

Capacitive Button



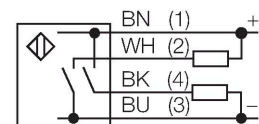
Technical data

Type	K30ALBTRGH
ID	3085178
Signal and display data	
Purpose	Pick-to-Light
Function	Touch Button
Light type	Red Green
LED service life (L70)	50000 h
Switch Function	Latching
Features of color 1	Red, Permanently on
Features of color 2	Green
Special features	Wash down
Electrical data	
Operating voltage	12...30 VDC
DC rated operational current	≤ 150 mA
Max. current consumption per color	55 mA
Output function	NO contact, PNP/NPN
Input type	Bipolar (PNP/NPN)
Response time typical	< 150 ms
Mechanical data	
Design	Dome, K30
Dimensions	Ø 30 x 41 mm
Housing material	Plastic, PC, Black
Window material	Polycarbonate, diffuse
Electrical connection	Cable, 2 m, PVC
Number of cores	5

Features

- Protection classes IP67 / IP69K
- Cable 2 m
- Disabled: No color
- Enabled: Green (COL 2)
- Operating voltage 10...30 VDC
- Bipolar circuit
- NO contact
- Hold function

Wiring diagram



Functional principle

The K50 pick-and-place sensor is suitable for many mounting and component placement applications. LED light is reflected perfectly by the entire dome. The device has two display colors depending on the version: Color 1 Shows the disabled state, color 2 the enabled state. Since the device has no inputs, a color change is exclusively realized by touching the sensor (enable). Devices with a hold function keep the enabled state, even when the contact ends.

Technical data

Ambient temperature	-40...+50 °C
---------------------	--------------

Relative humidity	0...90 %
-------------------	----------

Protection class	IP67 IP69
------------------	--------------

Tests/approvals

Approvals	CE
-----------	----

Accessories

SMB22A**3079414**

Mounting bracket, stainless steel, for
K30L series

