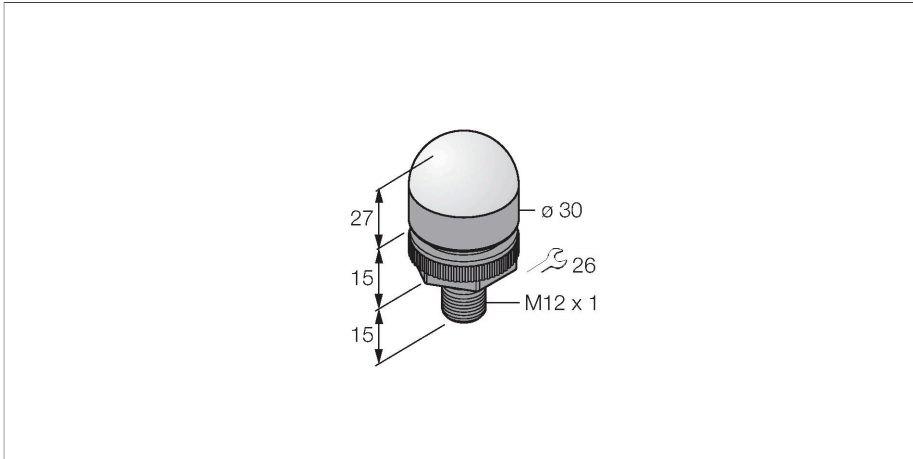


K30LGRBPQ

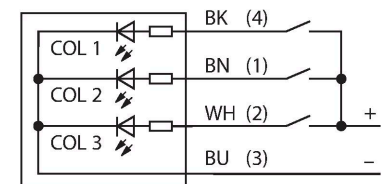
LED Indicator – Beacon



Features

- LED all-round visible
- Individually controllable
- Mechanical screw-in thread M22x1.5
- Protection class IP67
- Multicolor: Green (COL 1) / Red (COL 2) / Blue (COL 3)
- Male M12x1
- Operating voltage 10...30 VDC

Wiring diagram



Technical data

Type	K30LGRBPQ
ID	3081211
Signal and display data	
Purpose	LED indicator light
Function	Spotlight
Light type	Green Red Blue
Dimmable	No
Features of color 1	Green, Permanently on
Features of color 2	Red
Features of color 3	Blue
Special features	Wash down
Electrical data	
Operating voltage	10...30 VDC
DC rated operational current	≤ 25 mA
Max. current consumption per color	25 mA
Input type	PNP
Response time typical	< 1 ms
Mechanical data	
Cascadable	No
Design	Dome, K30L
Dimensions	Ø 30 x 57 mm
Housing material	Plastic, PC, Black
Window material	Polycarbonate, diffuse
Electrical connection	Connector, M12 × 1, PVC
Number of cores	4

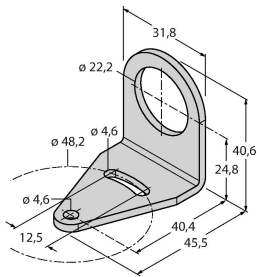
Technical data

Ambient temperature	-40...+50 °C
Relative humidity	0...90 %
Protection class	IP67 IP69
Tests/approvals	
MTTF	626 years acc. to SN 29500 (Ed. 99) 40 °C
Approvals	CE

Accessories

SMB22A	3079414
---------------	----------------

Mounting bracket, stainless steel, for K30L series



Accessories

Dimension drawing	Type	ID	
	RKC4.4T-2/TEL	6625013	Connection cable, M12 female connector, straight, 4-pin, cable length: 2 m, jacket material: PVC, black; cULus approval
	WKC4.4T-2/TEL	6625025	Connection cable, M12 female connector, angled, 4-pin, cable length: 2 m, jacket material: PVC, black; cULus approval