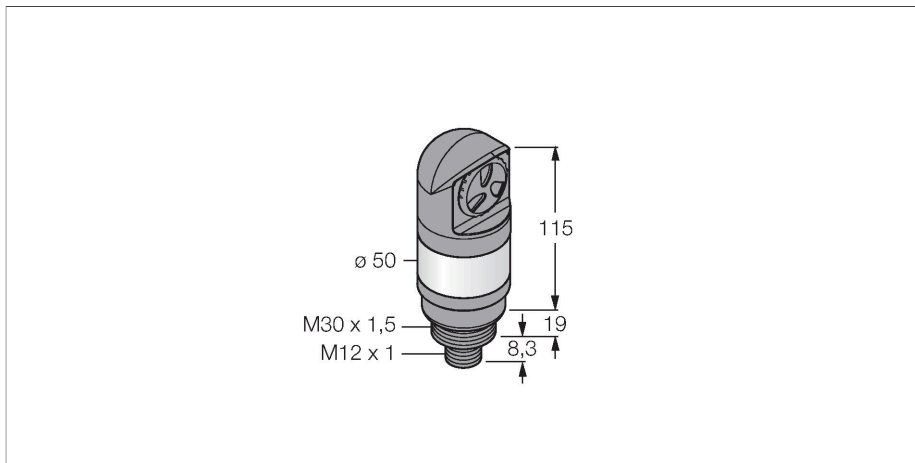


TL50OALSQ LED Indicator – Tower Light



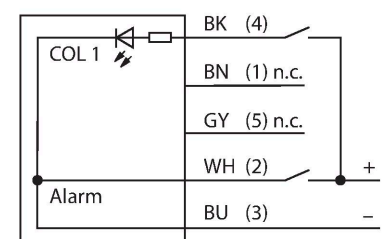
Technical data

Type	TL50OALSQ
ID	3093200
Signal and display data	
Purpose	LED indicator light
Function	Tower light
Light type	Orange
Dimmable	No
Features of color 1	Orange, Permanently on, 15.5 lm
Acoustic signal	Continuous tone, 94 dB
Electrical data	
Operating voltage	18...30 VDC
DC rated operational current	≤ 45 mA
Operating voltage	21...27 VAC
Max. current consumption per color	45 mA
Max. current consumption of beeper	35 mA
Input type	Bipolar (PNP/NPN)
Response time typical	< 10 ms
Mechanical data	
Cascadable	No
Design	Smooth barrel, TL50
Dimensions	Ø 50 x 142.5 mm
Housing material	Plastic, ABS, Black
Window material	Polycarbonate, diffuse
Electrical connection	Connector, M12 × 1, PVC
Number of cores	4
Ambient temperature	-20...+50 °C

Features

- Plastic housing, black
- EMI and RFI immune
- Protection class IP67
- M12 x 1 male
- Monochrome: Orange (COL 1)
- Operating voltage: 18...30 VDC or 24 VAC with 45 mA per LED color
- Inputs: PNP/NPN
- Beeper: Sealed, continuous tone max. 94 dB

Wiring diagram




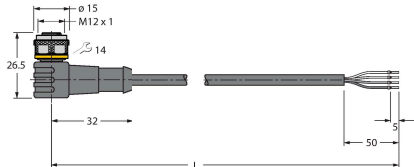
Functional principle

Monochrome multifunction acoustic signaller
Rugged and well-priced LED tower, easy to install
Illuminated segments for clear operator guidance and display of system status
Displays up to 5 colours
Compact devices, no controller required
No mounting
The wiring diagram shows a PNP pin assignment

Technical data

Relative humidity	0...95 %
Protection class	IP67
Tests/approvals	
Approvals	CE, UL listed

Accessories

Dimension drawing	Type	ID	
	RKC4.4T-2/TEL	6625013	Connection cable, M12 female connector, straight, 4-pin, cable length: 2 m, jacket material: PVC, black; cULus approval
	WKC4.4T-2/TEL	6625025	Connection cable, M12 female connector, angled, 4-pin, cable length: 2 m, jacket material: PVC, black; cULus approval