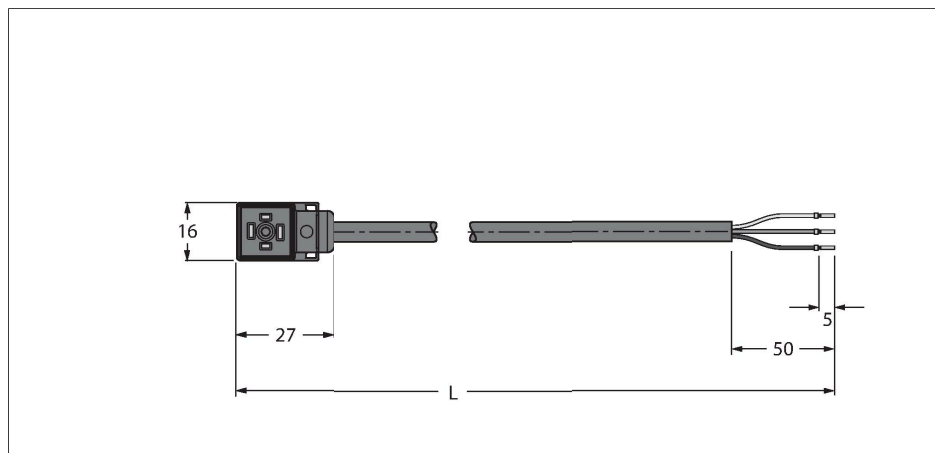


VC8S02-A80E-2/TEL

Valve connector C type – Connection Cable



Features



- 2-pin + PE
- Design according to the DIN EN 175301-803
- RoHS-compliant
- Protection class: IP65, IP67, IP68
- Without protective circuitry
- Without LED
- Sheath material: PVC
- Sheath color: black
- Resistant to chemicals and oils
- Flame retardant
- Resistant to acids and alkaline solutions
- Resistant to microbes and hydrolysis
- LABS-free
- Cable length: 2.0 m

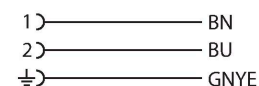
Technical data

| | |
|--|---------------------------------|
| Type | VC8S02-A80E-2/TEL |
| ID | 6606882 |
| Connector A | Valve connector, Design C |
| Number of Pins | 2+PE |
| Contacts | Metal, CuSn, Silver-plated |
| Contact carriers | Plastic, PA, Black |
| Connector body | Plastic, TPU, Black/Translucent |
| Protective component | without protective circuitry |
| Seal | Plastic, TPU |
| Mechanical lifespan | > 100 Mating cycles |
| Pollution degree | 3 |
| Protection class | IP65, IP67, IP68, (mounted) |
| Cable diameter | Ø 6.1 mm ±0.20 |
| Cable length | 2 m |
| Cable jacket | PVC, Black |
| Core insulation | PVC |
| Core cross-section | 3 x 0.75 mm ² |
| Arrangement of strands | 24 x 0.195 mm |
| Core colors | BN, BU, GNYE |
| Electrical properties at +20 °C | |
| Rated voltage | 230 V |
| Test voltage | 2000 V |
| Current | 4 A |
| Insulation resistance | > 1 MΩ/km |
| Insulation resistance forward resistance | ≥ 10 ⁸ Ω |
| | max. 57 Ω/km |

Contact assignment



Circuit Diagram



Technical data

Mechanical and chemical properties

| | |
|--|------------------------------|
| Bending radius (stationary installation) | $\geq 5 \times \varnothing$ |
| Bending radius (flexible use) | $\geq 10 \times \varnothing$ |
| Ambient temperature range (stationary) | -40...+105 °C |
| Ambient temperature range (In motion) | 0...+80 °C |
| Mounting screw | Brass, CuZn, nickel-plated |