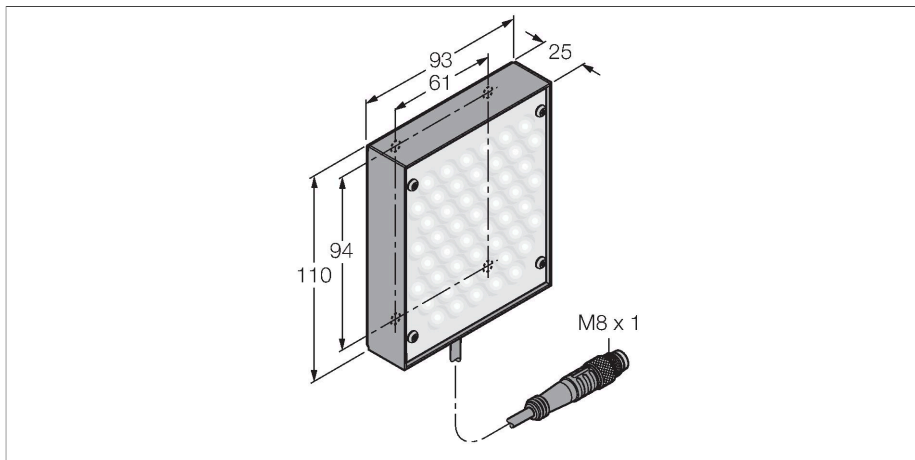


LEDIA80X80M

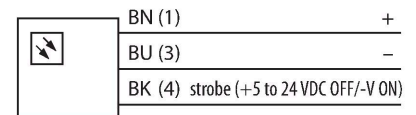
Vision System – Area Light



Features

- Close-range illumination
- Light intensity, adjustable
- Protection class: IP20
- Color: infrared
- Power supply: 24 VDC
- Pigtail M8x1, 2 m

Wiring diagram



Technical data

Type	LEDIA80X80M
ID	3072280
Signal and display data	
Purpose	Image processing
Function	Area light
Light type	IR
Wavelength	850...940 nm
LED service life (L70)	10000 h
Electrical data	
Operating voltage	24...250 VDC
DC rated operational current	≤ 250 mA
Max. current consumption per color	250 mA
Mechanical data	
Design	Rectangular
Dimensions	92.6 x 110.4 x 25.4 mm
Housing material	Metal, Low-carbon steel
Window material	Acrylic, clear
Electrical connection	Cable with connector, M8 × 1, 2 m, PVC
Number of cores	3
Ambient temperature	0...+50 °C
Protection class	IP40
Tests/approvals	
Approvals	CE, cULus listed

Functional principle

Area lights are perfectly suited for uniform illumination of a determined area.