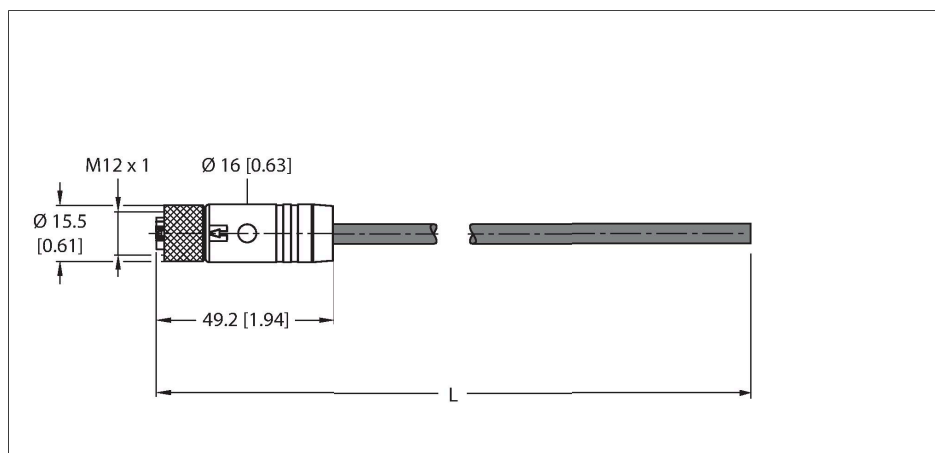


# RKP46PSB-0.5/TXR

## Supply Cable — M12 Power – Connection Cable



### Technical data

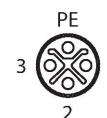
|   |  |
|---|--|
| Type                                      | RKP46PSB-0.5/TXR   |
| ID  | 100030337  |
| Connector A                               | Female, M12 × 1, Straight, S-coded                           |
| Number of Pins                            | 3+PE   |
| Contacts                                  | Copper-nickel, CuNi, Gold-plated                             |
| Contact carriers                          | Plastic, PBT GF, Black                                       |
| Connector body                            | Plastic, TPE, Black  |
| Coupling nut/screw                        | Brass, CuZn, Nickel-plated                                   |
| Seal                                      | Plastic, FPM/FKM   |
| Tightening torque (range)                 | 0.5 ... 0.6 Nm<br>(observe max. torque of mating connector!) |
| Mechanical lifespan                       | > 100 Mating cycles  |
| Pollution degree                          | 3  |
| Protection class                          | IP65, IP67, IP69K, Only in screwed condition                 |
| <b>Cable</b>                              |  |
| Cable diameter                            | Ø 7.4 mm ±0.20   |
| Cable length                              | 0.5 m  |
| Cable jacket                              | PUR, Red   |
| Core insulation                           | PP   |
| Core cross-section                        | 4 x 1.5 mm <sup>2</sup>                                      |
| Core colors                               | BK1, BK2, BK3, GNYE  |
| <b>Electrical properties at +20 °C</b>    |  |
| Rated voltage                             | 600 V  |
| Current                                   | 16 A   |
| <b>Mechanical and chemical properties</b> |  |
| Bending radius (stationary installation)  | ≥ 4 x Ø  |

### Features

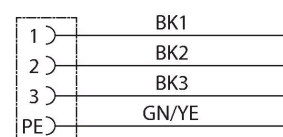


- M12 female connector, S-coded, straight, 4-pin (3+PE)
- Sheathing material: PUR
- Jacket color: red
- Highly resistant against oils, coolants, lubricants and emulsions
- Suitable for use in drag chains
- Resistant to vibrations and shocks
- Flame-retardant
- Halogen-free
- RoHS-compliant
- Protection class: IP65, IP67, IP69K
- Cable length: 0.5 m

### Contact assignment



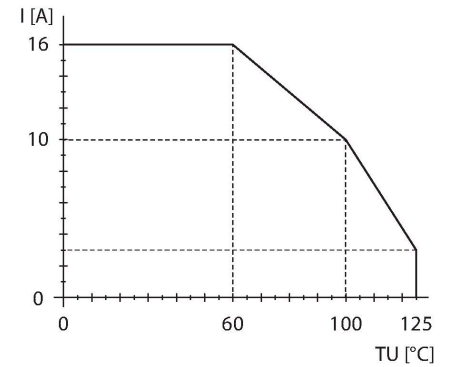
### Circuit Diagram



## Technical data

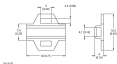
|   |                              |
|---|------------------------------|
| Bending radius (flexible use)                   | $\geq 7 \times \varnothing$  |
| Bending cycles                                  | $\geq 10$ million            |
| Admissible acceleration                         | max. 5 m/s <sup>2</sup>      |
| Admissible travel path, horizontal              | 5 m (at 5 m/s <sup>2</sup> ) |
| Torsional stress                                | $\pm 30$ °/m                 |
| Ambient temperature range (stationary)          | -40...+80 °C                 |
| Ambient temperature range (In motion)           | -30...+80 °C                 |
| Ambient temperature during drag chain operation | -20...+60 °C                 |
| Qualified for drag chain use                    | yes                          |
| Halogen-free                                    | yes                          |
| Oil-resistant                                   | yes                          |
| Flame-retardant                                 | yes                          |

## Derating Curve



## Accessories

| Dimension drawing | Type                  | ID        |
|-------------------|-----------------------|-----------|
|                   | LABEL-HOLDER-FLEX-PVC | 100048170 |



PVC label holder for identification of extension cables (TEL/TXL product series); for cable diameters: min. 5 mm; dimensions 4 × 18 mm; delivery unit: 50 pcs. per package