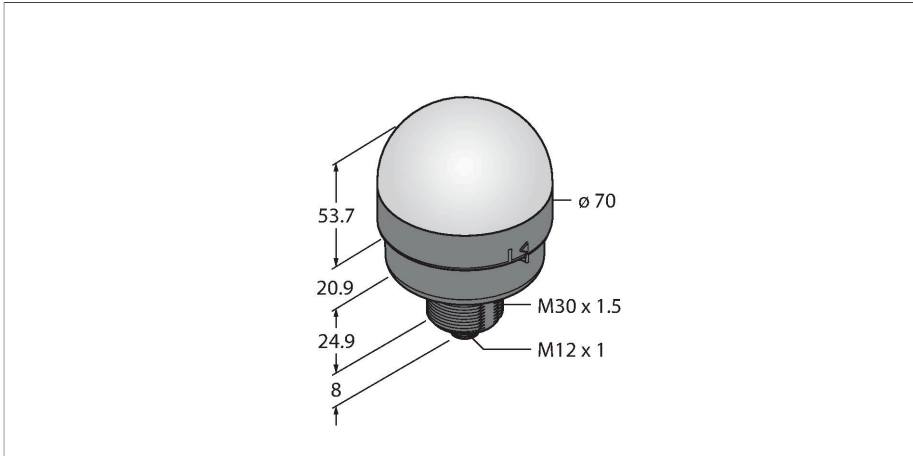


# K70LGRPQ

## LED Indicator – Beacon



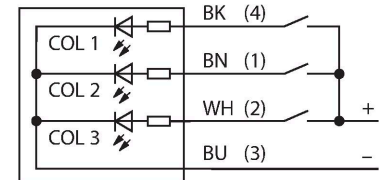
### Technical data

Type	K70LGRPQ
ID	3097879
<b>Signal and display data</b>	
Purpose	LED indicator light
Function	Spotlight
Light type	Green Red
Dimmable	No
Features of color 1	Green, Permanently on, 65 lm
Features of color 2	Red, 34 lm
<b>Electrical data</b>	
Operating voltage	18...30 VDC
DC rated operational current	≤ 40 mA
Max. current consumption per color	200 mA
Input power	5.7 W
Input type	PNP
Response time typical	< 75 ms
<b>Mechanical data</b>	
Cascadable	No
Design	Dome, K70L
Dimensions	Ø 70 x 107.5 mm
Housing material	Plastic, PC, Black
Window material	Polycarbonate, diffuse
Electrical connection	Connector, M12 × 1, PVC
Number of cores	5
Ambient temperature	-40...+50 °C
Relative humidity	0...95 %

### Features

- All-round LED display
- Individually controllable
- Mechanical screw-in thread M30 x 1.5
- Protection classes IP67/IP69K
- Multicolor: Green (COL 1) / Red (COL 2)
- M12 x 1 male connector
- Operating voltage 18...30 VDC

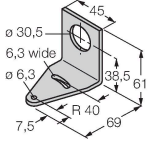
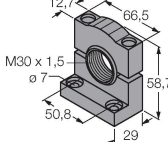
### Wiring diagram




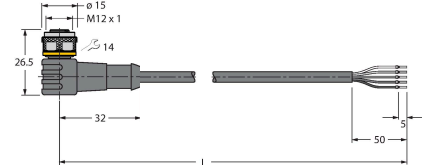
## Technical data

Protection class	IP65
<b>Tests/approvals</b>	
MTTF	249 years acc. to SN 29500 (Ed. 99) 40 °C
Approvals	CE, UL listed

## Accessories

<b>SMB30A</b>	<b>3032723</b>	<b>SMB30SC</b>	<b>3052521</b>
 <p>Mounting bracket, rectangular, stainless steel, for sensors with 30mm thread</p>		 <p>Mounting bracket, PBT black, for sensors with 30 mm thread, rotatable</p>	

## Accessories

Dimension drawing	Type	ID	
	RKC4.5T-2/TEL	6625016	Connection cable, M12 female connector, straight, 5-pin, cable length: 2 m, jacket material: PVC, black; cULus approval
	WKC4.5T-2/TEL	6625028	Connection cable, M12 female connector, angled, 5-pin, cable length: 2 m, jacket material: PVC, black; cULus approval