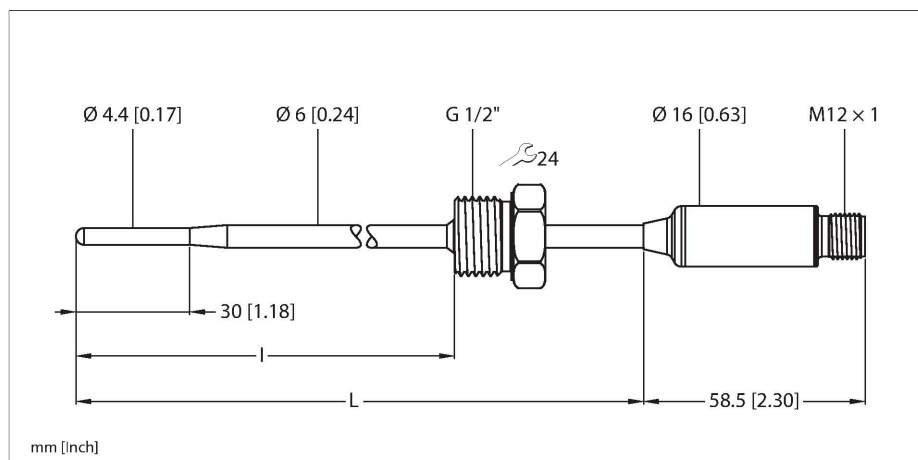


TTMS-206A-G1/2-LI6-H1140-L550/I500-0/500

Temperature Detection – With Current Output



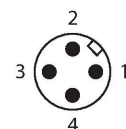
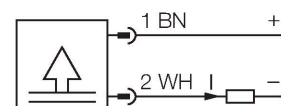
Technical data

Type	TTMS-206A-G1/2-LI6-H1140-L550/I500-0/500
ID	100012257
Temperature range	
Measuring range	0...500 °C
Measuring range	32...932 °F
Factory setting	0...500 °C
	32...932 °F
Note	Probe tapered from 6 mm to 4.4 mm
Measuring element	Pt-1000 probe, DIN EN 60751, class A
Bar length (L)	550 mm
Immersion length (l)	500 mm
Outer diameter	4.4 mm
Power supply	
Operating voltage	5...32 VDC
Current consumption	≤ 20 mA
Short-circuit/reverse polarity protection	yes / yes
Protection type and class	IP67 / III
Outputs	
Output 1	Analog output
Output function	Analog output
Analog output	
Current output	4...20 mA
Load	≤ 0.86 kΩ @24 VDC [R _{Load} =(V _{supply} - 5 V)/22 mA] kΩ
Accuracy (Lin. + Hys. + Rep.)	± 0.2 K

Features

- Miniature design
- Analog output 4...20 mA
- Factory setting 0...500 °C
- Process connection G1/2", male thread
- Bendable probe (min. bending radius: 3x outer diameter; excluding 30-mm probe tip)
- Probe tapered from 6 mm to 4.4 mm

Wiring diagram



Functional principle

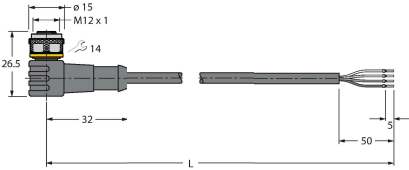
Temperatures are recorded over a mineral insulated transmitter and converted into a wide range of electrical output signals. The devices of the TTM miniature series are enclosed in a fully potted plastic housing and depending on the variant, they have either an IO-link output, power output and/or switching output.

Technical data

Temperature behaviour	
Temperature coefficient zero point TK_0	± 0.1 % of full scale/10 K
Temperature coefficient range TK_s	± 0.1 % of full scale/10 K
Environmental conditions	
Ambient temperature	-40...+80 °C
Storage temperature	-40...+80 °C
Mechanical data	
Housing material	Stainless steel, 1.4404 (AISI 316L)
Sensor material	Stainless steel, 1.4404 (AISI 316L)
Process connection	G 1/2" male thread
Pressure resistance	100 bar
Electrical connection	Connector, M12 × 1
Reference conditions acc. to IEC 61298-1	
Temperature	15...+25 °C
Atmospheric pressure	860...1060 hPa abs.
Humidity	45...75 % rel.
Auxiliary power	24 VDC
Tests/approvals	
MTTF	162 years acc. to SN 29500 (Ed. 99) 40 °C

Accessories

Dimension drawing	Type	ID	
	WKC4.4T-2/TEL	6625025	Connection cable, M12 female connector, angled, 4-pin, cable length: 2 m, jacket material: PVC, black; cULus approval
	RKC4.4T-2/TEL	6625013	Connection cable, M12 female connector, straight, 4-pin, cable length: 2 m, jacket material: PVC, black; cULus approval
	RKC4.4T-2/TXL	6625503	Connection cable, M12 female connector, straight, 4-pin, cable length: 2 m, jacket material: PUR, black; cULus approval

Dimension drawing	Type	ID	
	WKC4.4T-2/TXL	6625515	Connection cable, M12 female connector, angled, 4-pin, cable length: 2 m, jacket material: PUR, black; cULus approval