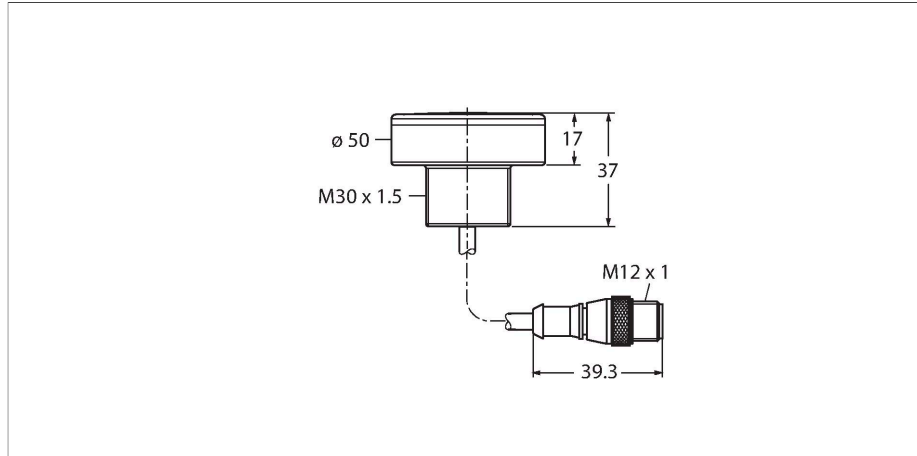


K50CL2RGB7QP

LED Indicator – Beacon



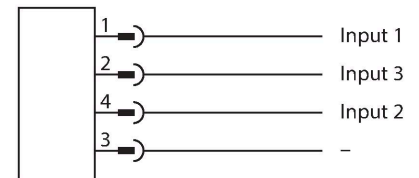
Features

- All-round LED display
- Individually controllable
- Mechanical screw-in thread M30 × 1.5
- Protection class IP67
- In the standard settings, up to seven colors can be displayed in accordance with the logic table (COL 1, COL 2, COL 3, flashing function)
- Can be configured using Pro Editor, can display up to 14 colors, various lighting animations, configurable I/O-block compatibility
- Cable with male end M12 x 1
- Operating voltage 18...30 VDC

Technical data

Type	K50CL2RGB7QP
ID	3807255
Signal and display data	
Purpose	LED indicator light
Function	Spotlight
Light type	RGB
Dimmable	No
Features of color 1	Red, 5 lm
Features of color 2	Green, 17.1 lm
Features of color 3	Blue, 3.8 lm
Features of color 4	Yellow, 13.8 lm
Features of color 5	White, 17 lm
Features of color 6	Magenta, 6.8 lm
Features of color 7	20.1 lm
Special features	Wash down
Electrical data	
Operating voltage	18...30 VDC
DC rated operational current	≤ 40 mA
Max. current consumption per color	220 mA
Input type	Bipolar (PNP/NPN)
Response time typical	< 250 ms
Mechanical data	
Cascadable	No
Design	Puck, K50L
Dimensions	Ø 50 x 37 mm
Housing material	Plastic, PC, Black
Window material	Polycarbonate, diffuse

Wiring diagram



Functional principle

These lights have RGB LEDs. Four input signals enable one of seven predefined colors to be controlled when using the standard settings, with an optional flashing function if required. The logic table shows which input needs to be connected. Using the Pro Editor software, the advanced settings allow these lights to be assigned up to 14 predefined colors. The major advantage of these LEDs is the color fidelity and luminance. Compared to their predecessors, a large number of variants can be produced with just a single light. The wiring diagram shows a PNP pin assignment.

	R	Y	G	T	B	M	W
COL1	×	×				×	×
COL2		×	×	×			×
COL3				×	×	×	×

Technical data

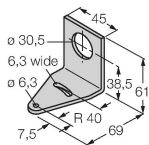
Electrical connection	Cable with connector, M12 × 1, 0.15 m, PVC
Number of cores	5
Ambient temperature	-40...+50 °C
Relative humidity	0...90 %
Protection class	IP66 IP67 IP69
Tests/approvals	
MTTF	249 years acc. to SN 29500 (Ed. 99) 40 °C
Approvals	CE, UL listed

Accessories

SMB30A

3032723

Mounting bracket, rectangular, stainless steel, for sensors with 30mm thread



SMB30SC

3052521

Mounting bracket, PBT black, for sensors with 30 mm thread, rotatable

