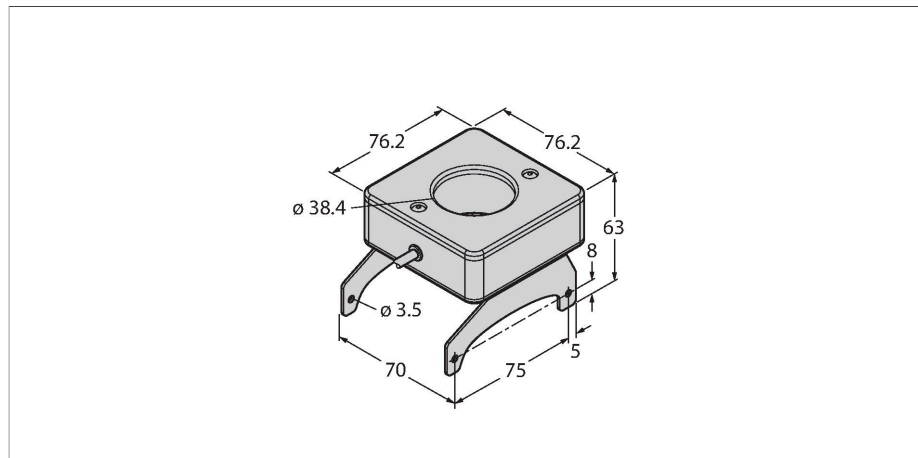


# LEDRRV70XD5-XM

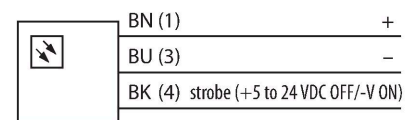
## Vision System – Ring Light



### Features

- Close-range illumination
- Protection class: IP50
- Color: red
- Power supply: 24 VDC
- Fixed set light intensity

### Wiring diagram



### Technical data

Type	LEDRRV70XD5-XM
ID	3097362
<b>Signal and display data</b>	
Purpose	Image processing
Function	Area light
Light type	Red
Wavelength	620...630 nm
Features of color 1	Red
<b>Electrical data</b>	
Operating voltage	21.6...26.4 VDC
DC rated operational current	≤ 350 mA
Max. current consumption per color	350 mA
<b>Mechanical data</b>	
Design	Rectangular
Dimensions	76.2 x 76.2 x 63 mm
Housing material	Metal, AL
Window material	Acrylic
Electrical connection	Cable with connector, M8 x 1, 0.3 m, PVC
Number of cores	3
Ambient temperature	0...+50 °C
Protection class	IP50
<b>Tests/approvals</b>	
Approvals	CE, cULus listed

### Functional principle

Direct mounting on VE smart camera for easy setup. Illumination of objects directly in front of the sensor.