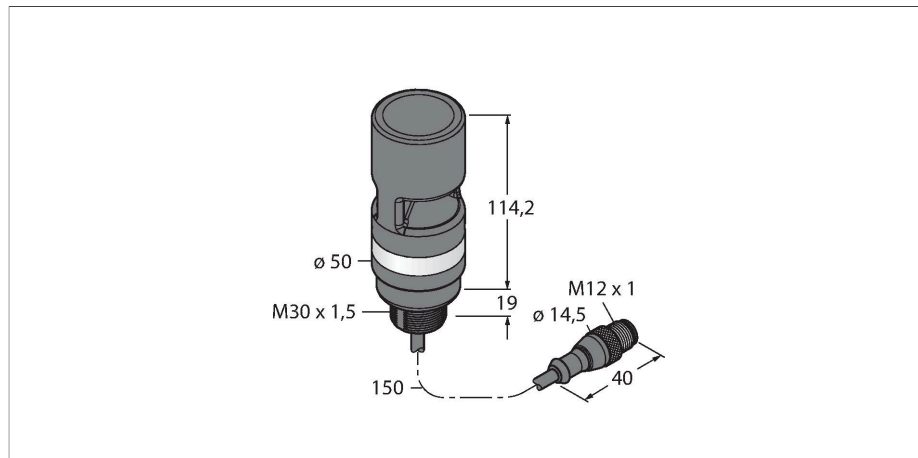


TL50BLR1AOS4QP

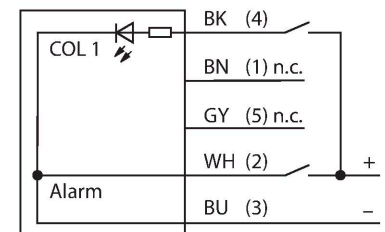
LED Indicator – Tower Light



Features

- Black plastic housing
- Protection class IP67
- EMI and RFI immune
- Monochrome: Red rotating (COL 1)
- Operating voltage: 12...30 VDC or 24 VAC with 45 mA per LED color
- Inputs: PNP/NPN
- Beeper, omnidirectional, 99 dB, staccato beep
- Beeper: Omnidirectional, sealed, stakkato max. 99 dB

Wiring diagram



Functional principle

The rugged multifunction TL50 beacon is available in many variations and is easily mounted. Each signal tower can be assembled from a maximum of four varicolored LEDs, with or without a beeper. You can also choose from three different lighting functions (steady, rotating, flashing). The lighting function is indicated in the type code after the color (no number: steady; 1: rotating; 2: flashing). Clearly visible status displays for indoor and outdoor applications. The wiring diagram shows a PNP pin assignment.

5 colors are available, blue (B), green (G), red (R), yellow (Y) and white (W), which specify the light sequence from bottom to top in the type designation of the tower light. Example: TL50GYRQ, designates the colors green, yellow and red from bottom to top.

Technical data

Type	TL50BLR1AOS4QP
ID	3093128
Signal and display data	
Purpose	LED indicator light
Function	Tower light
Light type	Red, rotating
Dimmable	No
Features of color 1	Red, Rotating, 24 lm
Acoustic signal	Staccato, 99 dB
Electrical data	
Operating voltage	12...30 VDC
DC rated operational current	≤ 125 mA
Operating voltage	21...27 VAC
AC rated operational current	≤ 100 mA
Max. current consumption per color	125 mA
Max. current consumption of beeper	45 mA
Input type	Bipolar (PNP/NPN)
Response time typical	< 1 ms
Mechanical data	
Cascadable	No
Design	Smooth barrel, TL50BL
Dimensions	Ø 50 x 133.3 mm
Housing material	Plastic, ABS, Black
Window material	Polycarbonate, clear
Electrical connection	Cable with connector, M12 x 1, 0.15 m, PVC
Number of cores	4

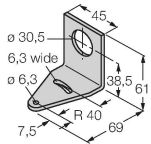
Technical data

Ambient temperature	-20...+50 °C
Relative humidity	0...95 %
Protection class	IP67
Tests/approvals	
Approvals	CE, UL listed

Accessories

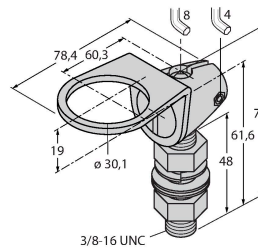
SMB30A 3032723

Mounting bracket, rectangular, stainless steel, for sensors with 30mm thread



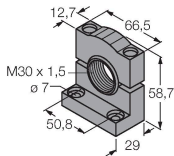
SMB30FA 3074005

Montagewinkel; Werkstoff VA 1.4401



SMB30SC 3052521

Mounting bracket, PBT black, for sensors with 30 mm thread, rotatable



Accessories

Dimension drawing	Type	ID	
	RKC4.4T-2/TEL	6625013	Connection cable, M12 female connector, straight, 4-pin, cable length: 2 m, jacket material: PVC, black; cULus approval
	WKC4.4T-2/TEL	6625025	Connection cable, M12 female connector, angled, 4-pin, cable length: 2 m, jacket material: PVC, black; cULus approval