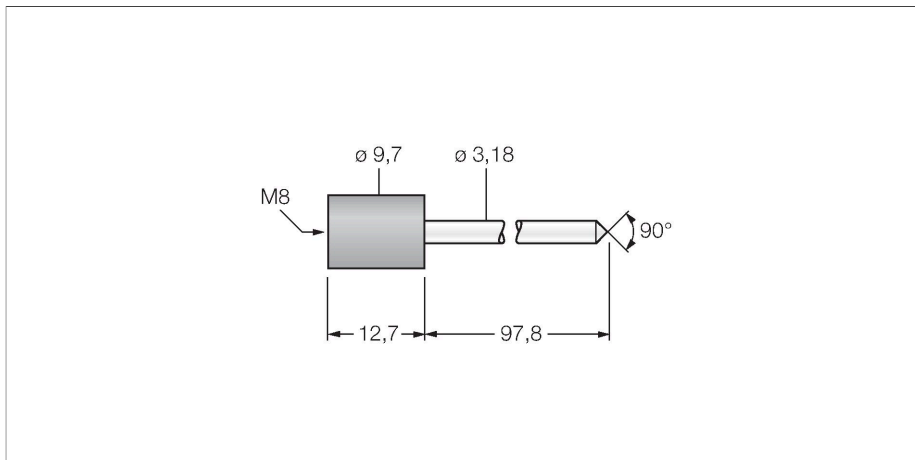


# TGRM8MM

## Sensing Tip – Glass

### Features

- For level measurements with fork plastic optical fibers of the type BT2..SM8 or BAT2..UM8
- Stainless steel housing with M8 female thread
- Probe made of quartz glass

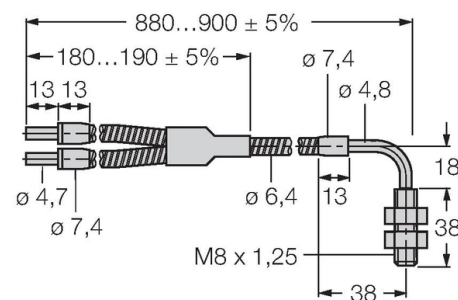


### Technical data

Type	TGRM8MM
ID no.	3023561
<b>Optical data</b>	
Function	End tip for optical fibers
Fiber-optic type	Glass
<b>Mechanical data</b>	
Design	Smooth barrel, TGRM8MM
Dimensions	Ø 9.5 x 113 mm
Housing material	Glass Stainless steel
Bending cycles	0
Ambient temperature	-140...+249 °C
Protection class	IP67

### Accessories

Dimension drawing	Type	ID no.
	BAT23SM8	3023160



Glass fiber, sensing mode: Diffuse mode sensor, stainless steel cable; for ambient temperatures of -140 °C... +250 °C, length: 914 mm

Dimension drawing	Type	ID no.	
	BAT26SM8	3073127	Glass fiber, sensing mode: Diffuse mode sensor, stainless steel cable; for ambient temperatures of -140 °C...+250 °C, length 1829 mm
	BT23SM8	3017277	Glass fiber, sensing mode: Diffuse mode sensor, threaded sleeve (brass) M8 × 1.25, bundle diameter 3.2 mm, flexible stainless steel jacket, ambient temperatures of -140 °C ...+250 °C, length: 914 mm
	BT26SM8	3020009	Glass fiber, sensing mode: Diffuse mode sensor, threaded sleeve (brass) M8 × 1.25, bundle diameter 3.2 mm, flexible stainless steel jacket, ambient temperatures of -140 °C ...+250 °C, length: 1829 mm