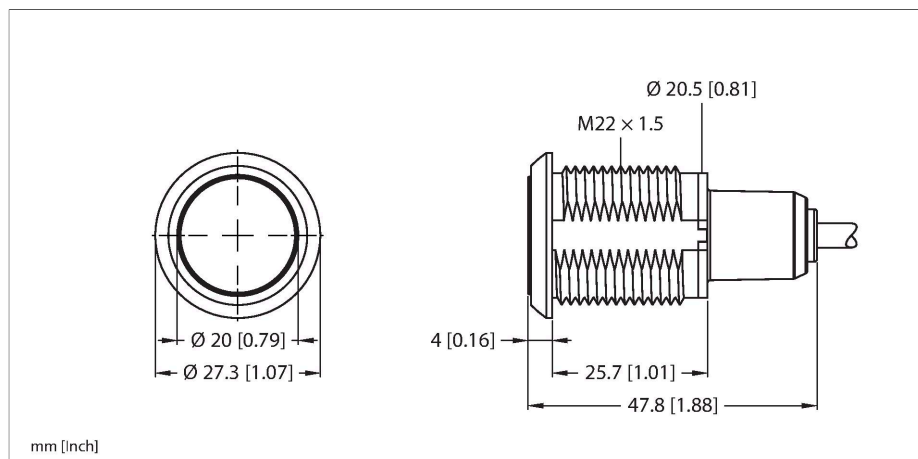


# S22ALTSRGB7QP

## Pick-to-Light – Placement Sensor

### Capacitive Sensor



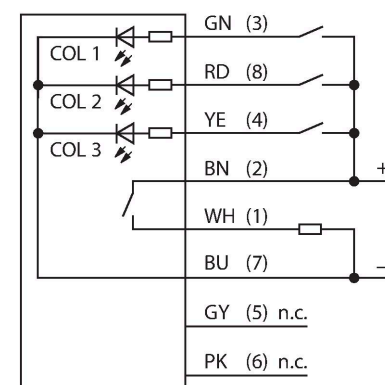
#### Technical data

Type	S22ALTSRGB7QP
ID	3804247
<b>Signal and display data</b>	
Purpose	Pick-to-Light
Function	Touch Button
Light type	RGB
LED service life (L70)	50000 h
Switch Function	Latching
Features of color 1	Red, Permanently on, 0.08 lm
Features of color 2	Green, 0.18 lm
Features of color 3	Blue, 0.03 lm
Features of color 4	Yellow, 0.25 lm
Features of color 5	White, 0.24 lm
Features of color 6	Magenta, 0.1 lm
Features of color 7	Magenta, 0.2 lm
Special features	Wash down Wash down
<b>Electrical data</b>	
Max. current consumption per color	80 mA
Output function	NO contact, PNP/NPN
Input type	Bipolar (PNP/NPN)
Response time typical	< 300 ms
<b>Mechanical data</b>	
Design	Threaded barrel
Dimensions	$\varnothing 27.3 \times 47.8$ mm
Housing material	Plastic, PC, Black

#### Features

- Protection class IP67/IP69K
- Cable with M12 x 1 male connector, 8-pin, 150 mm
- RGB-LEDS
- Can display up to seven colors
- Operating voltage 10...30 VDC
- Bipolar circuit
- NO contact
- Hold function

#### Wiring diagram



#### Functional principle

The S22 pick-and-place sensor is suitable for many mounting and component placement applications. The device has RGB LEDs and, depending on the version, between one and seven display colors that are activated depending on the input. The display colors for each input can be individually configured using the Pro Editor software. It is also possible to configure the pick-and-place sensor as NO or NC, with or without holding function. The major advantage of these LEDs

## Technical data

Window material	Polycarbonate, diffuse
Electrical connection	Cable with connector, M12 × 1, 0.15 m, PVC
Number of cores	8
Ambient temperature	-40...+50 °C
Relative humidity	0...90 %
Protection class	IP66 IP67 IP69

### Tests/approvals

is the color fidelity and luminance. Compared to their predecessors, a large number of variants can be produced with just a single light.

## Excess Gain Curve

	R	Y	G	T	B	M	W
COL1	×	×				×	×
COL2		×	×	×			×
COL3				×	×	×	×

## Accessories

Dimension drawing	Type	ID	
	RKC4.5T-2/TEL	6625016	Connection cable, M12 female connector, straight, 5-pin, cable length: 2 m, jacket material: PVC, black; cULus approval
	WKC4.5T-2/TEL	6625028	Connection cable, M12 female connector, angled, 5-pin, cable length: 2 m, jacket material: PVC, black; cULus approval