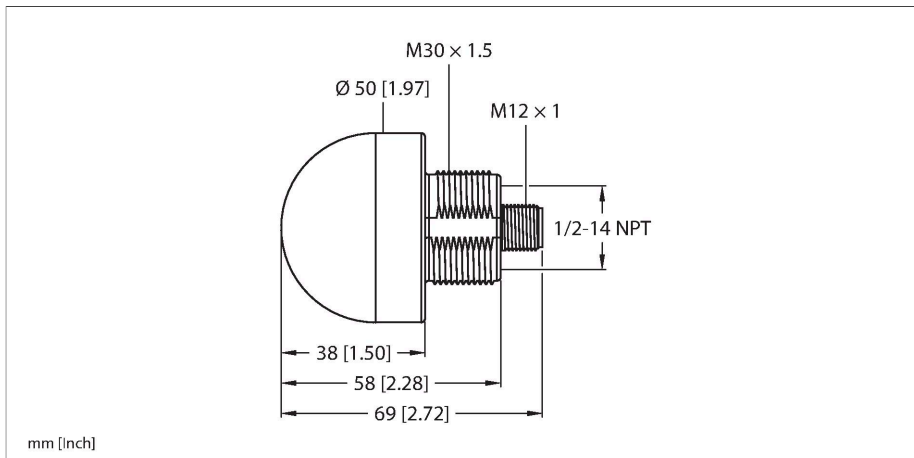


K50LGRYBWPQ8

LED Indicator – Beacon



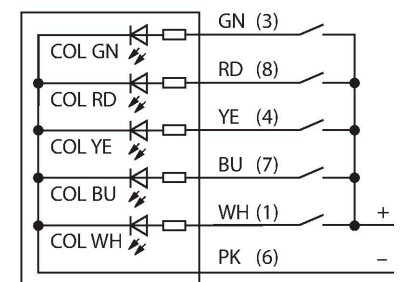
Technical data

Type	K50LGRYBWPQ8
ID	3076959
Signal and display data	
Purpose	LED indicator light
Function	Spotlight
Light type	Green Red Yellow Blue White
LED service life (L70)	50000 h
Dimmable	No
Features of color 1	Green, Miscellaneous
Features of color 2	Red
Features of color 3	Yellow
Features of color 4	Blue
Features of color 5	White
Special features	Wash down
Electrical data	
Operating voltage	18...30 VDC
DC rated operational current	≤ 40 mA
Max. current consumption per color	50 mA
Output function	NO contact, Potential-free
Input type	PNP
Response time typical	< 250 ms
Mechanical data	
Cascadable	No
Design	Dome, K50L

Features

- All-round LED display
- Individually controllable
- Mechanical screw-in thread M30 x 1.5
- Protection classes IP67/IP69K
- Multicolor: Green (COL 1) / Red (COL 2) / Yellow (COL 3) / Blue (COL 4) / White (COL 5)
- Male M12x1
- Operating voltage 18...30 VDC

Wiring diagram



Technical data

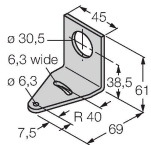
Dimensions	Ø 50 x 69 mm
Housing material	Plastic, PC, Black
Window material	Polycarbonate, diffuse
Electrical connection	Connector, M12 × 1, PVC
Number of cores	8
Ambient temperature	-40...+50 °C
Relative humidity	0...90 %
Protection class	IP67
Tests/approvals	
MTTF	249 years acc. to SN 29500 (Ed. 99) 40 °C
Approvals	CE, UL listed

Accessories

SMB30A

3032723

Mounting bracket, rectangular, stainless steel, for sensors with 30mm thread



SMB30SC

3052521

Mounting bracket, PBT black, for sensors with 30 mm thread, rotatable

