

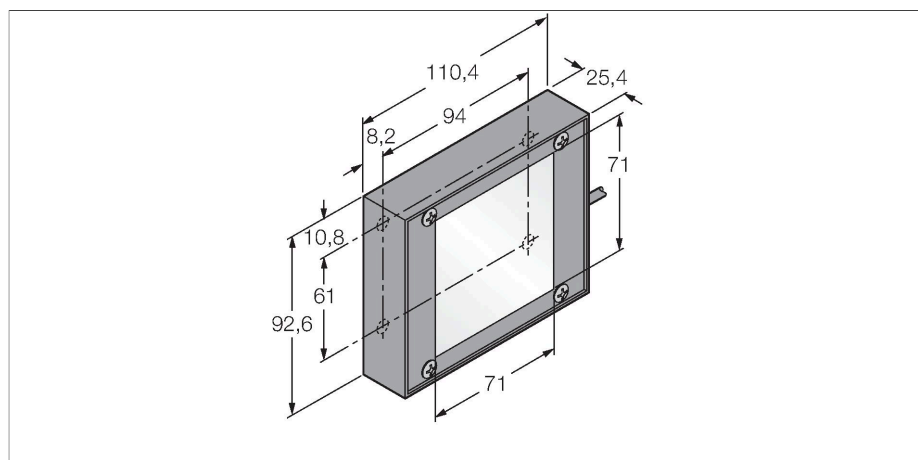
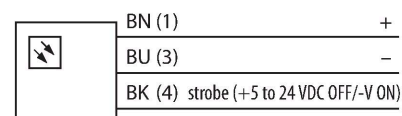
LEDRB70X70W

Vision System – Backlight

Features

- Protection class: IP40
- Color: red
- Power supply: 24 VDC
- Cable, 2 m

Wiring diagram



Technical data

Type	LEDRB70X70W
ID	3069904
Signal and display data	
Purpose	Image processing
Function	Area light
Light type	Red
Wavelength	620...630 nm
LED service life (L70)	50000 h
Features of color 1	Red
Electrical data	
Operating voltage	24 VDC
DC rated operational current	≤ 250 mA
Max. current consumption per color	250 mA
Mechanical data	
Design	Rectangular
Dimensions	110.4 x 92.6 x 25 mm
Housing material	Metal, Low-carbon steel
Window material	Acrylic, diffuse
Electrical connection	Cable, 2 m, PVC
Number of cores	3
Ambient temperature	0...+50 °C
Protection class	IP40
Tests/approvals	
Approvals	CE, cULus listed

Functional principle

Installed directly behind the object, opposite to the sensor. Highly diffuse surfaces and consistent brightness, with lower intensity compared to other lights.