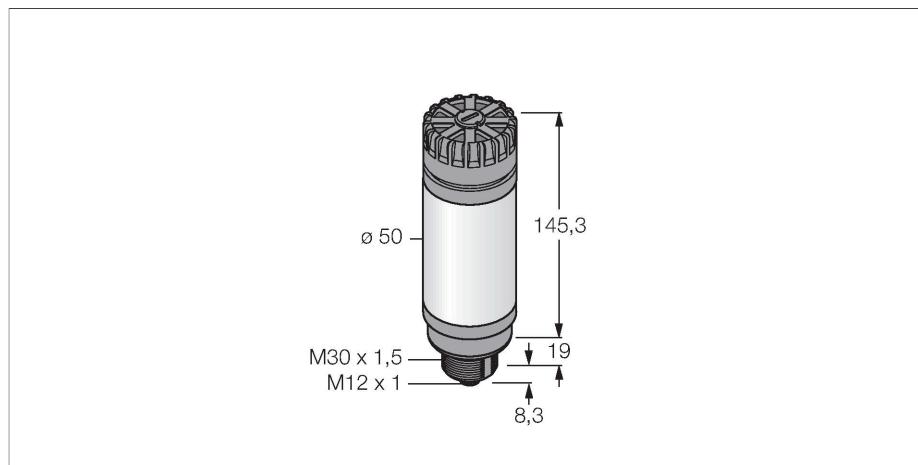


# CL50GRYAPQ

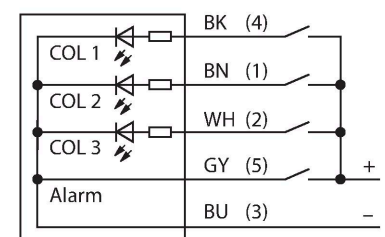
## LED Indicator – Tower Light



### Features

- LED tower light with beeper
- Individually controllable
- Mechanical screw-in thread M30 x 1.5
- Multicolor: Green (COL 1) / Red (COL 2) / Yellow (COL 3)
- Beeper max. 92 dB

### Wiring diagram



### Functional principle

Multicolor multifunction acoustic signaller  
Rugged and well-priced LED tower, easy to install  
Illuminated segments for clear operator guidance and display of system status.  
Display of up to 3 colors.  
Compact devices, no controller required  
No mounting  
The wiring diagram shows the PNP input configuration. An instruction leaflet with detailed information about the connection is included with the devices.


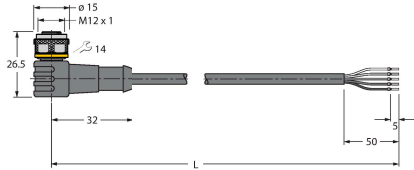
### Technical data

Type	CL50GRYAPQ
ID	3010474
<b>Signal and display data</b>	
Purpose	LED indicator light
Function	Tower light
Light type	Green Red Yellow
Dimmable	No
Features of color 1	Green, Permanently on, 72 lm
Features of color 2	Red, Permanently on, 38 lm
Features of color 3	Yellow, Permanently on, 30 lm
Acoustic signal	Continuous tone, 92 dB
<b>Electrical data</b>	
Operating voltage	18...30 VDC
Max. current consumption per color	100 mA
Max. current consumption of beeper	25 mA
Input type	PNP
Response time typical	< 10 ms
<b>Mechanical data</b>	
Cascadable	No
Design	Smooth barrel, CL50
Dimensions	Ø 50 x 145.3 mm
Housing material	Plastic, ABS/Polycarbonate, Black
Window material	Polycarbonate, diffuse
Electrical connection	Connector, M12 x 1, PVC
Number of cores	5

## Technical data

Ambient temperature	-20...+50 °C
Relative humidity	0...95 %
Protection class	IP50
<b>Tests/approvals</b>	
Approvals	CE, UL listed

## Accessories

Dimension drawing	Type	ID	
	RKC4.5T-2/TEL	6625016	Connection cable, M12 female connector, straight, 5-pin, cable length: 2 m, jacket material: PVC, black; cULus approval
	WKC4.5T-2/TEL	6625028	Connection cable, M12 female connector, angled, 5-pin, cable length: 2 m, jacket material: PVC, black; cULus approval