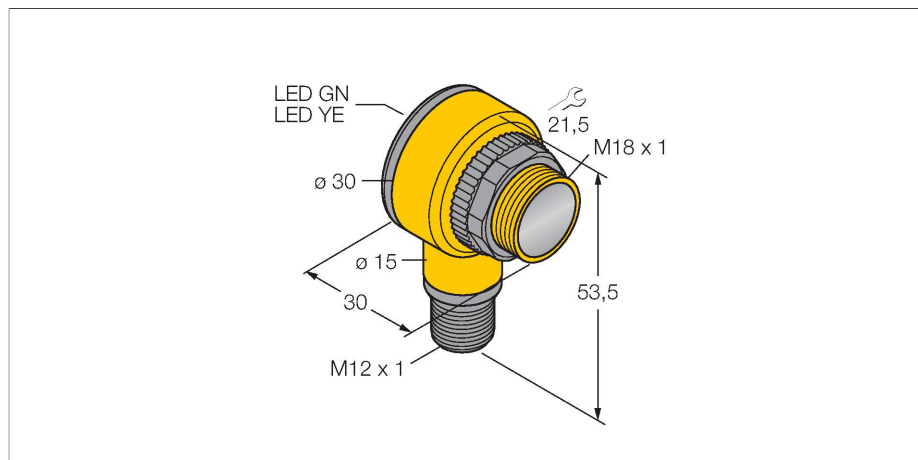


# T18-2NAEJ-Q8

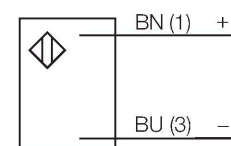
## Photoelectric Sensor – Opposed Mode Sensor (Emitter)



### Features

- M12 × 1 male connector, 4-pin
- Protection classes IP67/IP69K
- Ambient temperature: -40 °C...+70 °C
- Operating voltage: 10...30 VDC

### Wiring diagram



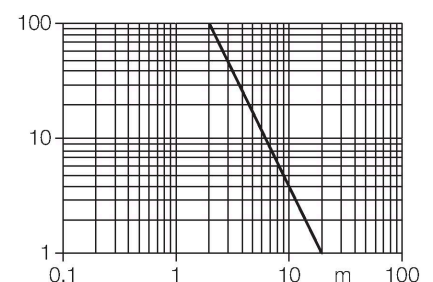
### Technical data

Type	T18-2NAEJ-Q8
ID no.	3802622
<b>Optical data</b>	
Function	Opposed mode sensor
Operating mode	Emitter
Light type	IR
Wavelength	624 nm
Range	0...20000 mm
<b>Electrical data</b>	
Operating voltage	10...30 VDC
Residual ripple	< 10 % U <sub>ss</sub>
Readiness delay	≤ 500 ms
<b>Mechanical data</b>	
Design	Rectangular with thread, T18
Dimensions	30 x 30 x 54 mm
Housing material	Plastic, Thermoplastic material
Lens	plastic, Acrylic
Electrical connection	Connectors, M12 × 1
Number of cores	2
Ambient temperature	-40...+70 °C
Protection class	IP67 IP68 IP69
Special features	Chemical-resistant Encapsulated Wash down Resistant to chemicals
Power-on indication	LED, Green

### Functional principle

Opposed mode sensors consist of an emitter and receiver. They are installed opposite to each other so that the light from the emitter is aimed directly at the receiver. When an object interrupts or weakens the light beam, the sensor switches. Opposed mode sensors are the most reliable photoelectric sensors for detection of opaque targets. The excellent light/dark contrast and the high excess gain allow operation over larger distances and under difficult conditions.

Excess gain curve  
Excess gain in relation to the distance



## Technical data

### Tests/approvals

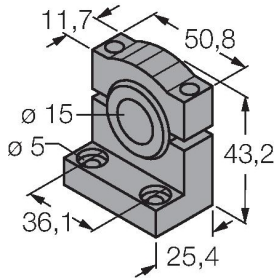
Approvals CE, UL, CSA

## Accessories

SMB1815SF

3053279

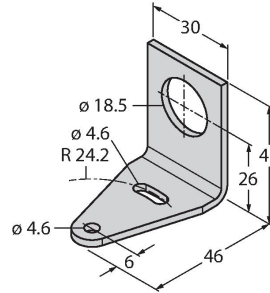
Mounting bracket, PBT black, for PICO-GUARD points



SMB18A

3033200

Mounting bracket, rectangular, stainless steel, for sensors with 18 mm thread



SMB18FM

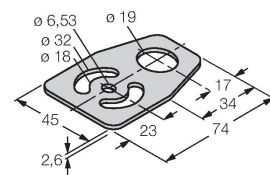
3079421

mounting bracket, black, M22 x1.5 mm, male thread, female thread M18 x 1, for sensors with 18 mm thread

SMBAMS18P

3073134

Mounting bracket, stainless steel, for sensors with 18 mm thread



## Accessories

Dimension drawing	Type	ID no.	
	RKC4.4T-2/TEL	6625013	Connection cable, female M12, straight, 4-pin, cable length: 2 m, sheath material: PVC, black; cULus approval; other cable lengths and qualities available, see <a href="http://www.turck.com">www.turck.com</a>
	WKC4.4T-2/TEL	6625025	Connection cable, female M12, angled, 4-pin, cable length: 2 m, sheath material: PVC, black; cULus approval; other cable lengths and qualities available, see <a href="http://www.turck.com">www.turck.com</a>