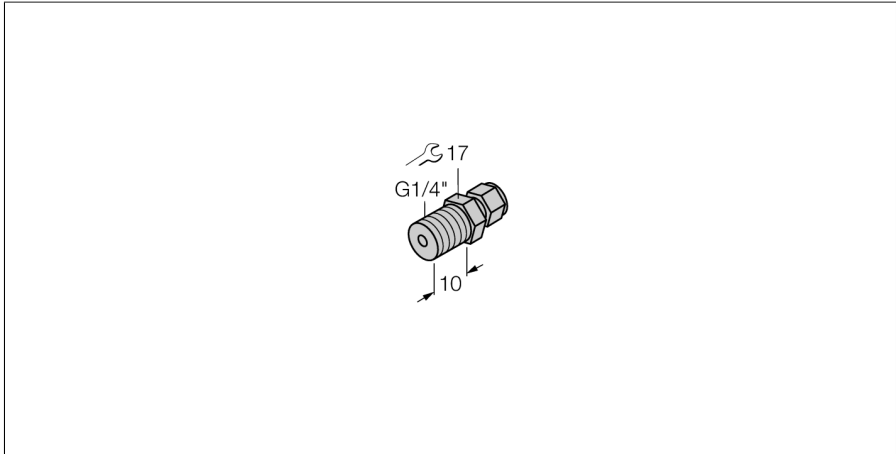


Accessories

Compression Fitting

For Temperature Sensors

CF-P-6-G1/4-A4



- Compression fittings for direct mounting of TP temperature probes
- PTFE compression fitting
- For probe with 6 mm diameter
- Process connection G1/4" male thread

General description

With compression fittings, probes can be mounted directly where they are needed and they can be immersed as deep as wanted. Through direct contact with the medium, they react immediately to temperature changes.

Type	CF-P-6-G1/4-A4
ID	9910485

Temperature range	
Measuring range	-50...100 °C
Measuring range	-58...212 °F

Mechanical data	
Housing material	Stainless steel, 1.4404 (AISI 316L)
Sealing material	PTFE
Internal diameter	7 mm
Process connection	G 1/4" male thread
Pressure resistance	20 bar
Max. tightening torque of housing nut	100 Nm