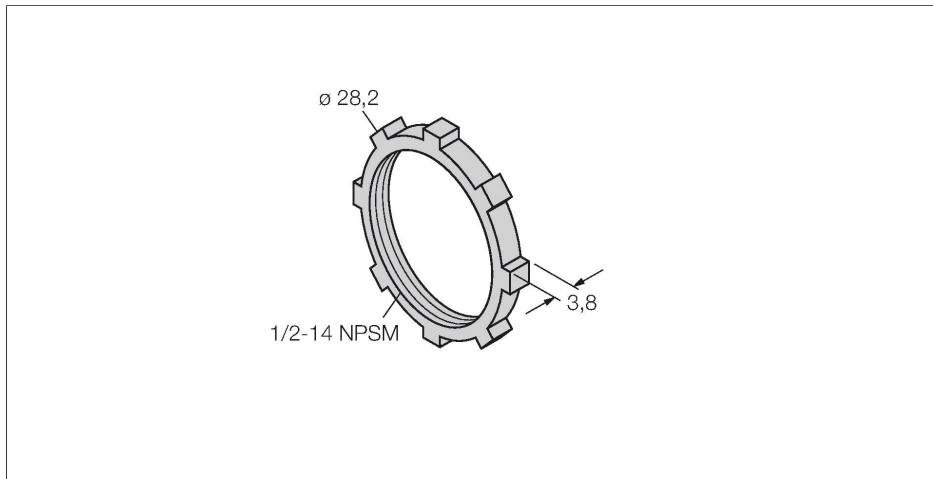


LN1/2-14NPT/10

Accessories for Fieldbus Systems – 1/2" Counter Nut for NPT Thread



Features

- 1/2" counter nut for NPT-thread
- Material: Die-cast zinc

Technical data

Type	LN1/2-14NPT/10
ID	6961002
Contacts	Metal, Gold-plated
Contact carriers	Plastic, Black
Mechanical lifespan	> 100 Mating cycles
Pollution degree	3
Protection class	IP67, (screwed together)
Network protocol	DeviceNet CANopen
Insulation resistance	$\geq 10^8 \Omega$
forward resistance	$\leq 5 \text{ m}\Omega$
Mechanical and chemical properties	