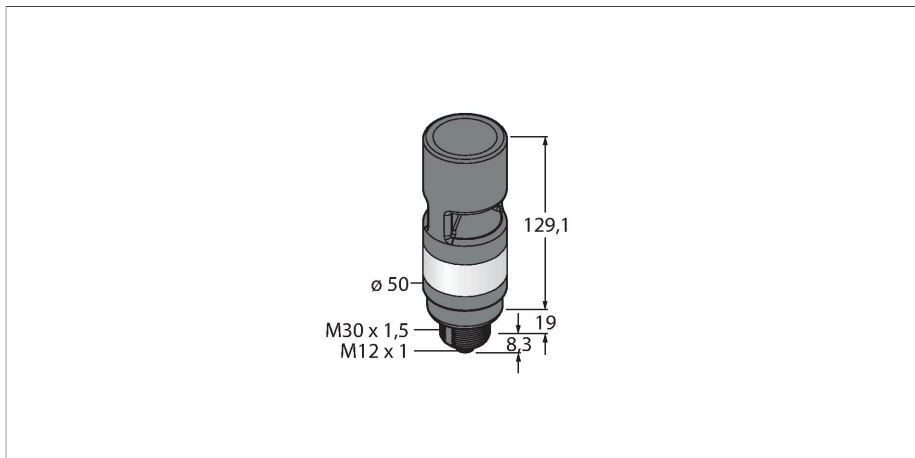


TL50RAOSQ

LED Indicator – Tower Light



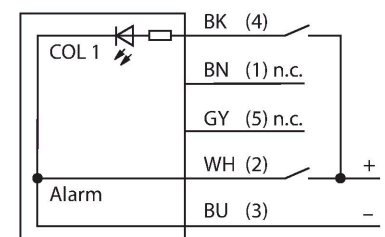
Technical data

Type	TL50RAOSQ
ID	3073059
Signal and display data	
Purpose	LED indicator light
Function	Tower light
Light type	Red
Dimmable	No
Features of color 1	Red, Permanently on, 7.5 lm
Acoustic signal	Continuous tone, 99 dB
Electrical data	
Operating voltage	18...30 VDC
DC rated operational current	≤ 45 mA
Operating voltage	21...27 VAC
Max. current consumption per color	45 mA
Max. current consumption of beeper	45 mA
Input type	Bipolar (PNP/NPN)
Response time typical	< 10 ms
Mechanical data	
Cascadable	No
Design	Smooth barrel, TL50
Dimensions	Ø 50 x 156.6 mm
Housing material	Plastic, ABS, Black
Window material	Polycarbonate, diffuse
Electrical connection	Connector, M12 × 1, PVC
Number of cores	4
Ambient temperature	-20...+50 °C
Relative humidity	0...95 %

Features

- Plastic housing, black
- EMI and RFI immune
- Protection class IP67
- M12 x 1 male
- Monochrome: Red (COL 1)
- Operating voltage: 18...30 VDC or 24 VAC with 45 mA per LED color
- Inputs: PNP/NPN
- Beeper: Omnidirectional, sealed, continuous tone max. 99 dB

Wiring diagram



Functional principle

Monochrome multifunction acoustic signaller
 Rugged and well-priced LED tower, easy to install
 Illuminated segments for clear operator guidance and display of system status
 Displays up to 5 colours
 Compact devices, no controller required
 No mounting
 The wiring diagram shows a PNP pin assignment

Technical data

Protection class IP67

Tests/approvals

Approvals CE, UL listed

Accessories

Dimension drawing	Type	ID	
	RKC4.4T-2/TEL	6625013	Connection cable, M12 female connector, straight, 4-pin, cable length: 2 m, jacket material: PVC, black; cULus approval
	WKC4.4T-2/TEL	6625025	Connection cable, M12 female connector, angled, 4-pin, cable length: 2 m, jacket material: PVC, black; cULus approval