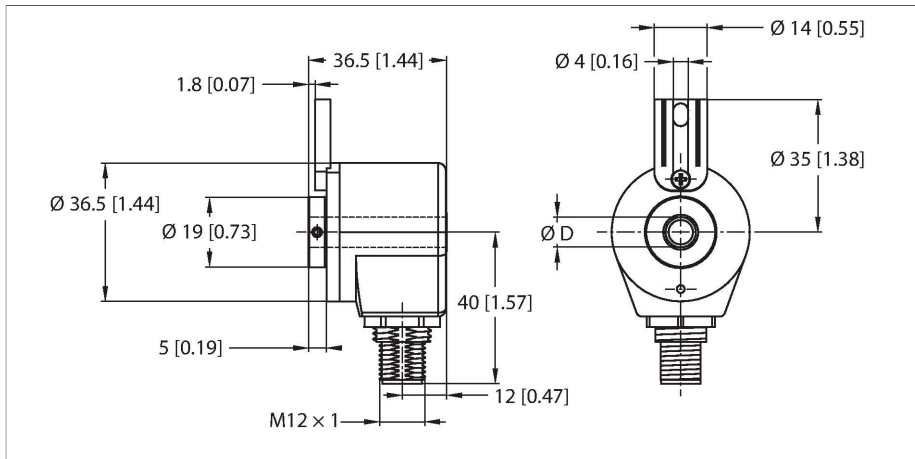


# REI-05IA0T-2H2048-H1181

## Incremental Encoder

### Industrial Line



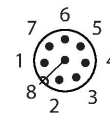
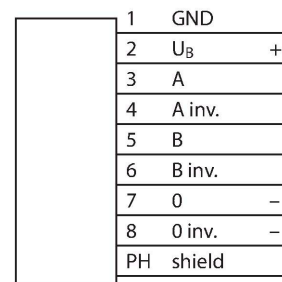
### Features

- Flange with mounting element, Ø 36.5 mm
- Hollow shaft, Ø 6.35 mm
- Optical measuring principle
- Shaft material: Brass
- Protection class shaft IP50
- Protection class housing IP65
- -20...+85 °C
- Max. 6000 rpm
- 8...30 VDC
- Push-pull/HTL invertible
- Pulse frequency max. 200 kHz
- M12 × 1 male connector, 8-pin
- 2048 pulses per revolution

### Technical data

Type	REI-05IA0T-2H2048-H1181
ID	100011184
Measuring principle	Optical
<b>General data</b>	
Max. Rotational Speed	6000 rpm
Moment of inertia of the rotor	$0.2 \times 10^{-5} \text{ kgm}^2$
Starting torque	< 0.05 Nm
Output type	Incremental
Resolution, incremental	2048 ppr
<b>Electrical data</b>	
Operating voltage	8...30 VDC
No-load current	40 mA
Output current	≤ 50 mA
Short-circuit protection	yes
Pulse frequency max.	200 kHz
Signal level high	min. $U_B - 3 \text{ V}$
Signal level low	max. 0.5 V
Output function	Push-Pull/HTL, invertable
<b>Mechanical data</b>	
Design	Hollow shaft
Flange type	Flange with mounting element
Flange diameter	Ø 36.5 mm
Shaft Type	Hollow shaft
Shaft diameter D [mm]	6.35
	Hollow shaft
Shaft material	Brass

### Wiring diagram



## Technical data

Housing material	Aluminum chromated
Electrical connection	Connector, M12 × 1
	8-pin
Axial shaft load	20 N
Radial shaft load	40 N
<b>Environmental conditions</b>	
Ambient temperature	-20...+85 °C
Vibration resistance (EN 60068-2-6)	100 m/s <sup>2</sup> , 55...2000 Hz
Shock resistance (EN 60068-2-27)	1000 m/s <sup>2</sup> , 6 ms
Protection class	IP65
Protection class shaft	IP50

## Accessories

	<p><b>RME-3</b> 1544614</p> <p>Stainless steel stator coupling for hollow shaft encoders, reference diameter 46 mm, for highly dynamic applications with axial and radial play</p>		<p><b>RME-13</b> 1544624</p> <p>Plastic mounting element for hollow shaft encoders, pitch diameter 42 mm, for applications with limited axial play, low dynamics and limited mounting space</p>
	<p><b>RME-14</b> 1544625</p> <p>Plastic mounting element for hollow shaft encoders, pitch diameters 44 mm, 60 mm, 63 mm, 65 mm, for low dynamic applications with high axial play.</p>		

## Accessories

Dimension drawing	Type	ID	
	RKC8T-2/TXL	6625142	Connection cable, M12 female connector, straight, 8-pin, cable length: 2 m, jacket material: PUR, black; cULus approval

## Dimension drawing

## Type

WKC8T-2/TXL

## ID

6625145

Connection cable, M12 female connector, angled, 8-pin, cable length: 2 m, jacket material: PUR, black; cULus approval

