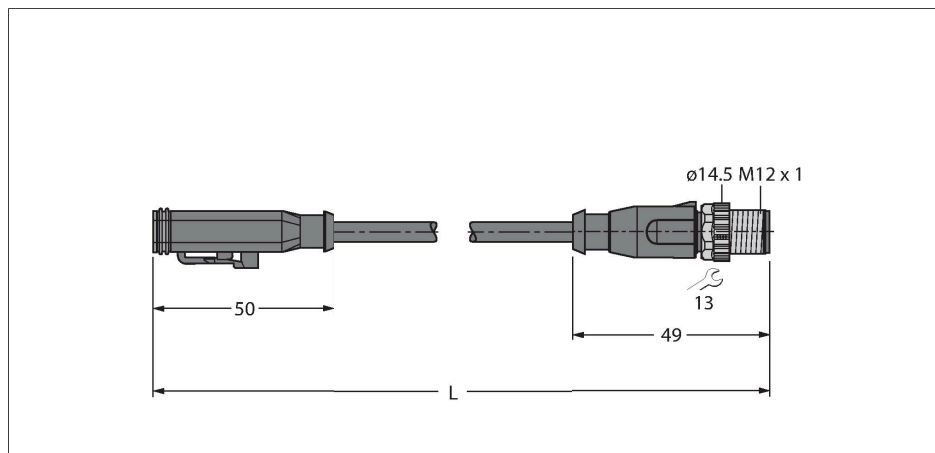


# DT06-2S-A-5-RSC4.234T/TXL

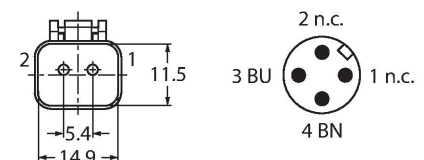
## Deutsch Connector – Extension Cable



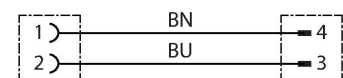
### Features

- Deutsch connector DT06, straight, 2-pin
- Jacket material: TPE-U (PUR)
- Jacket color: black, similar to RAL 7021
- Suitable for drag chain use
- Flame retardant
- Halogen free acc. to DIN VDE 0472 part 815
- RoHS compliant
- Protection classes IP67 and IP69K
- Cable length: 5.0 m

### Contact assignment



### Circuit Diagram



### Technical data

|                              |                                                         |
|------------------------------|---------------------------------------------------------|
| Type                         | DT06-2S-A-5-RSC4.234T/TXL                               |
| ID                           | 100002064                                               |
| Connector A                  | Female, Deutsch DT, Straight                            |
| Number of Pins               | 2                                                       |
| Contacts                     | Brass, CuZn, Gold-plated                                |
| Contact carriers             | Plastic, TPU, Black                                     |
| Connector body               | Plastic, TPU, Black                                     |
| Seal                         | Plastic, Silicone                                       |
| Mechanical lifespan          | > 100 Mating cycles                                     |
| Pollution degree             | 3                                                       |
| Protection class             | IP67, (plugged)                                         |
| Connector B                  | Male, M12 × 1, Straight                                 |
| Contacts                     | Brass, CuZn, Gold-plated                                |
| Contact carriers             | Plastic, TPU, Black                                     |
| Connector body               | Plastic, TPU, Black                                     |
| Coupling nut/retaining screw | Brass, CuZn, Nickel-plated                              |
| Tightening torque            | 0.8 ... 1 Nm (observe max. torque of mating connector!) |
| Mechanical life              | > 100 Mating cycles                                     |
| Pollution degree             | 3                                                       |
| Protection class             | IP67, Only when screwed together                        |
| Cable                        |                                                         |
| Cable diameter               | Ø 5 mm ±0.15                                            |
| Cable length                 | 5 m                                                     |
| Cable jacket                 | PUR, Black                                              |
| Core insulation              | PP                                                      |
| Core cross-section           | 2 x 0.75 mm <sup>2</sup>                                |
| Arrangement of strands       | 42 x 0.15 mm                                            |

## Technical data

|                                           |                              |
|-------------------------------------------|------------------------------|
| Core colors                               | BN, BU                       |
| <b>Electrical properties at +20 °C</b>    |                              |
| Rated voltage                             | 230 V                        |
| Test voltage                              | 3000 V                       |
| Current                                   | 4 A                          |
| <b>Mechanical and chemical properties</b> |                              |
| Bending radius (stationary installation)  | $\geq 5 \times \varnothing$  |
| Bending radius (flexible use)             | $\geq 10 \times \varnothing$ |
| Bending cycles                            | $\geq 4$ million             |
| Admissible acceleration                   | max. 10 m/s <sup>2</sup>     |
| Admissible traversing speed               | 3.33 m/s                     |
| Ambient temperature range (stationary)    | -40...+80 °C                 |
| Ambient temperature range (In motion)     | -25...+80 °C                 |