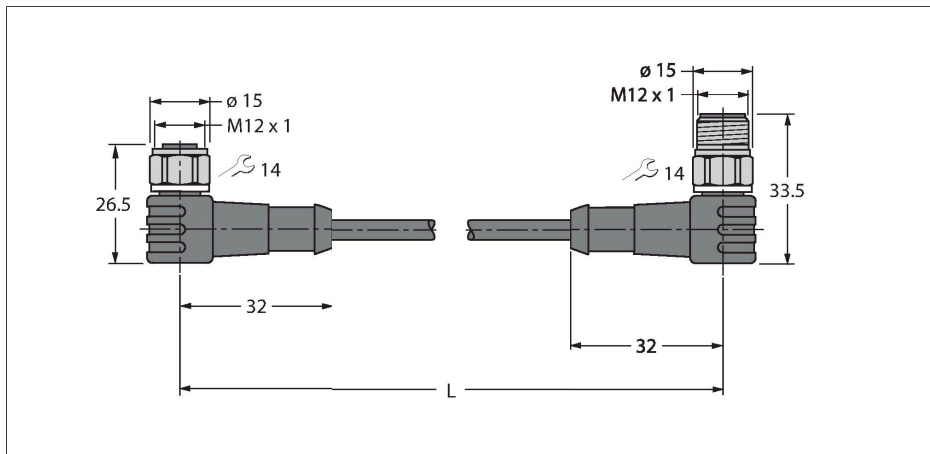


WKCV5T-0.3-WSCV5T/TFW

Actuator And Sensor Cable, PP-EPDM – Extension Cable

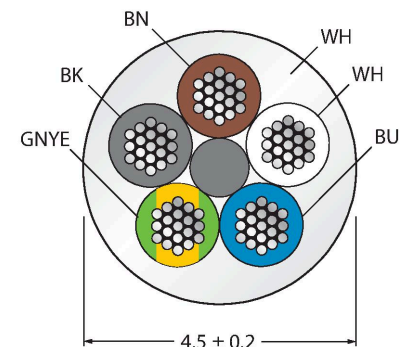


Features

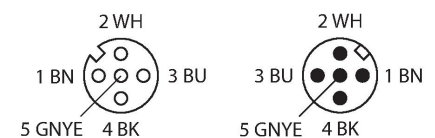


- M12 female connector, angled, 4-pin + PE
- Stainless steel coupling nut/screw
- M12 male connector, angled, 4-pin + PE
- Stainless steel coupling nut/screw
- Sheath material: PP-EPDM
- Sheath color: white
- Resistant to acids and alkaline solutions
- Resistant to detergents and disinfectants
- Resistant to hydrolysis acc. to DIN EN 60068-2-78
- Free from silicone and PVC
- Halogen-free acc. to DIN EN 50267-2-1, IEC 60754-1, VDE 0482-267-2-1
- Approvals: Ecolab, FDA
- RoHS and REACH compliant
- Protection classes IP67, IP69K
- Cable length: 0.3 m

Cable Cross-Section



Contact assignment



Technical data

| | |
|------------------------------|------------------------------------------------------------|
| Type | WKCV5T-0.3-WSCV5T/TFW |
| ID | 6934985 |
| Connector A | Female, M12 × 1, Angled |
| Number of Pins | 4+PE |
| Contacts | Brass, CuZn, Gold-plated |
| Contact carriers | Plastic, PP, White |
| Connector body | Plastic, PP, White |
| Coupling nut/screw | Stainless Steel, V4A |
| Seal | Plastic, FPM/FKM |
| Tightening torque (range) | 0.8 ... 1 Nm (observe max. torque of mating connector!) |
| Mechanical lifespan | > 100 Mating cycles |
| Pollution degree | 3 |
| Protection class | IP67, IP69K, Only in screwed condition |
| Connector B | Male, M12 × 1, Angled |
| Number of pins | 4+PE |
| Contacts | Brass, CuZn, Gold-plated |
| Contact carriers | Plastic, PP, White |
| Connector body | Plastic, TPU, White |
| Coupling nut/retaining screw | Stainless Steel, V4A |
| Tightening torque | 0.8 ... 1 Nm (observe max. torque of mating connector!) |
| Mechanical life | > 100 Mating cycles |
| Pollution degree | 3 |
| Protection class | IP67, IP69K, Only when screwed together |
| Cable | |
| Cable diameter | Ø 4.5 mm ±0.20 |

Technical data

| | |
|-------------------------------------------|--------------------------|
| Cable length | 0.3 m |
| Cable jacket | PP-EPDM, White |
| Core insulation | PE |
| Core cross-section | 5 x 0.34 mm ² |
| Arrangement of strands | 42 x 0.1 mm |
| Core colors | BN, WH, BU, BK, GNYE |
| Electrical properties at +20 °C | |
| Rated voltage | 60 V |
| Test voltage | 500 V |
| Current | 4 A |
| forward resistance | max. 57 Ω/km |
| Mechanical and chemical properties | |
| Bending radius (stationary installation) | ≥ 5 x Ø |
| Bending radius (flexible use) | ≥ 10 x Ø |
| Ambient temperature range (stationary) | -40...+105 °C |
| Ambient temperature range (In motion) | 0...+80 °C |

Circuit Diagram



Accessories

| | |
|-----------------------------------------------------------------------------------------------------------------------|---------|
| TORQUE-WRENCH-SET-AS | 6936170 |
| Torque wrench set; handles with adjustable torque 0.4-1.0 Nm, torque wrench for M8 (SW9), fork wrench for M12 (SW 14) | |