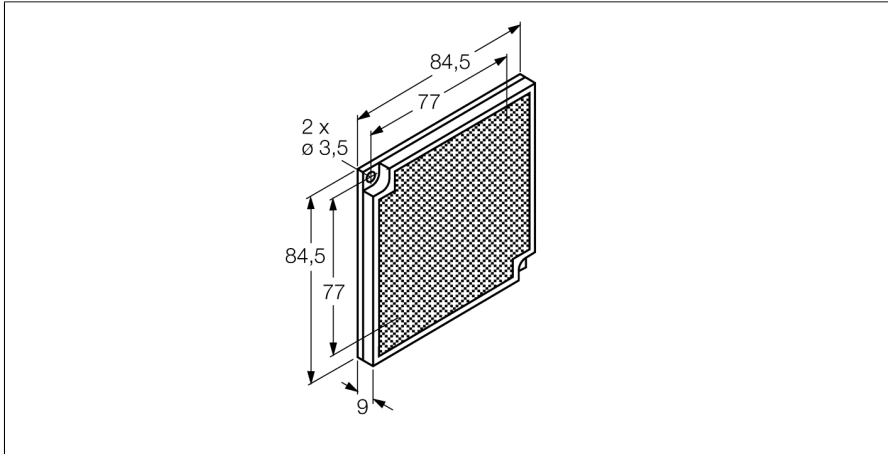


Accessories

Reflector

BRT-77X77C



- Rectangular design
- Reflective area 1
- Reflection coefficient 2.0
- (Reference BRT-75)

Functional principle

Retro-reflective sensors incorporate emitter and receiver in a single compact housing. The light beam of the emitter is directed towards a reflector which returns the light back to the receiver. An object is detected when it interrupts this beam. Retro-reflective sensors have a high function gain and good contrast performance. Further it is merely required to install and wire a single device.

Type	BRT-77X77C
ID	3049816

Design	Rectangular
Lens	plastic, Acrylic
Ambient temperature	-20...+60 °C