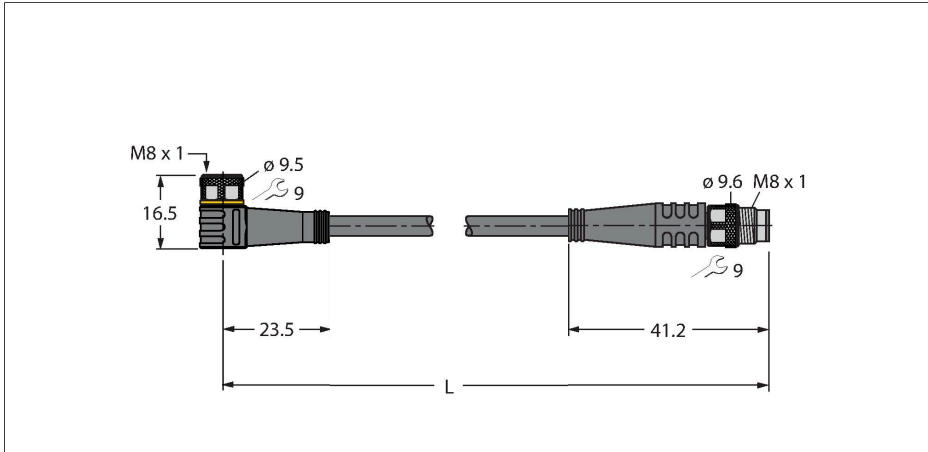


PKW4M-1-PSG4M/TXG

Actuator and Sensor Cable, PUR – Extension Cable



Features

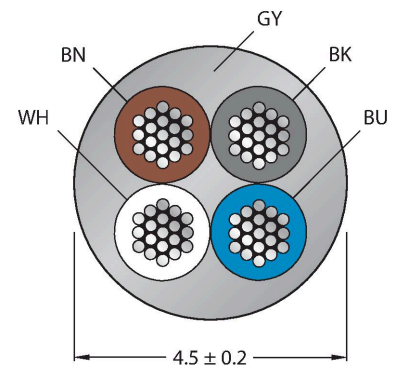


- Female M8, angled, 4-pin
- Male M8, straight, 4-pin
- Jacket material: PUR
- Jacket color: gray
- Suitable for drag chain use
- Resistant to chemicals, UV radiation and oils
- Flame retardant (FT2 acc. to UL 1581, IEC 60332-2-2)
- Resistant to welding sparks
- Free from halogen, silicone, PVC and LABS
- Particularly resistant to abrasion
- Protection class: IP67, IP69K
- Cable length: 1.0 m

Technical data

| | |
|------------------------------|--|
| Type | PKW4M-1-PSG4M/TXG |
| ID | 6630058 |
| Connector A | Female, M8 × 1, Angled |
| Number of Pins | 4 |
| Contacts | Brass, CuZn, Gold-plated |
| Contact carriers | Plastic, TPU, Black |
| Connector body | Plastic, TPU, Black |
| Coupling nut/screw | Brass, CuZn, Nickel-plated |
| Seal | Plastic, FPM/FKM |
| Tightening torque (range) | 0.5 ... 0.6 Nm (observe max. torque of mating connector!) |
| Mechanical lifespan | > 100 Mating cycles |
| Pollution degree | 3 |
| Protection class | IP67, IP69K, Only in screwed condition |
| Connector B | Male, M8 × 1, Straight |
| Number of pins | 4 |
| Contacts | Brass, CuZn, Gold-plated |
| Contact carriers | Plastic, TPU, Black |
| Connector body | Plastic, TPU, Black |
| Coupling nut/retaining screw | Brass, CuZn, Nickel-plated |
| Tightening torque | 0.5 ... 0.6 Nm (observe max. torque of mating connector!) |
| Mechanical life | > 100 Mating cycles |
| Pollution degree | 3 |
| Protection class | IP67, IP69K, Only when screwed together |

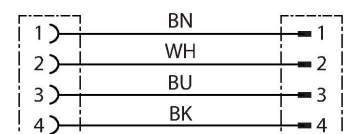
Cable Cross-Section



Contact assignment



Circuit Diagram



Technical data

| Cable | |
|---|--|
| Cable diameter | Ø 4.5 mm ±0.20 |
| Cable length | 1 m |
| Cable jacket | PUR, Gray |
| Core insulation | PP |
| Core cross-section | 4 x 0.34 mm ² |
| Arrangement of strands | 42 x 0.1 mm |
| Core colors | BN, WH, BU, BK |
| Electrical properties at +20 °C | |
| Rated voltage | 50 V _{AC} /60 V _{DC} |
| Test voltage | 2000 V |
| Current | 4 A |
| Insulation resistance | > 30.5 MΩ/km |
| forward resistance | max. 57 Ω/km |
| Mechanical and chemical properties | |
| Bending radius (stationary installation) | ≥ 5 x Ø |
| Bending radius (flexible use) | ≥ 10 x Ø |
| Bending cycles | ≥ 5 million |
| Admissible acceleration | max. 5 m/s ² |
| Admissible travel path, horizontal | 5 m (at 5 m/s ²) |
| Admissible travel path, vertical | 2 m (at 5 m/s ²) |
| Admissible traversing speed | 3.3 m/s |
| Torsional stress | ± 180 °/m |
| Ambient temperature range (stationary) | -50...+80 °C |
| Ambient temperature range (In motion) | -25...+80 °C |
| Ambient temperature during drag chain operation | -25...+60 °C |
| Approvals | cULus |

Accessories

TORQUE-WRENCH-SET-AS

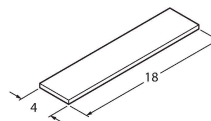
6936170

Torque wrench set; handles with adjustable torque 0.4-1.0 Nm, torque wrench for M8 (SW9), fork wrench for M12 (SW 14)

BLANK-LABEL-FOR-CORDSETS-TEL-TXL

6936206

Label for TEL and TXL cables, length: 18 mm, height: 4 mm, material: polycarbonate (PC), color: white, halogen-free and flame-retardant



Accessories

| Dimension drawing | Type | ID | |
|---|-----------------------|-----------|--|
|  | LABEL-HOLDER-FLEX-PVC | 100048170 | PVC label holder for identification of extension cables (TEL/TXL product series); for cable diameters: min. 5 mm; dimensions 4 × 18 mm; delivery unit: 50 pcs. per package |