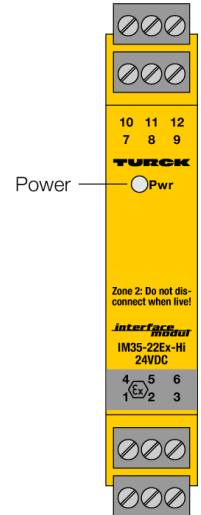
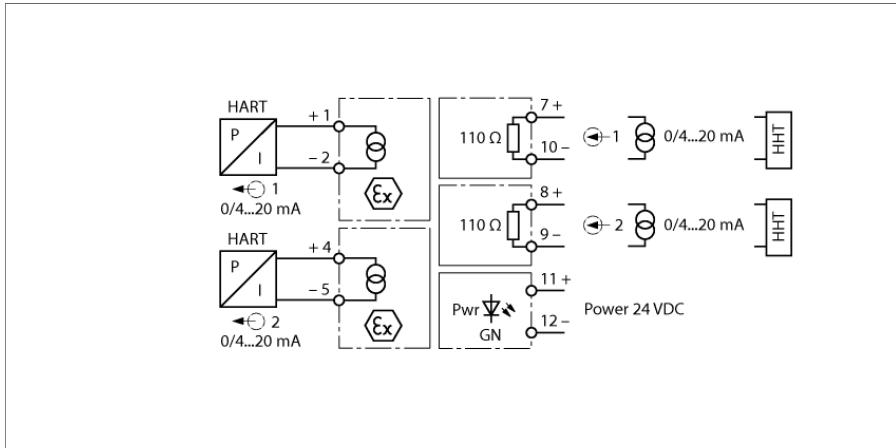


Analog Signal Isolator 2-channel IM35-22EX-HI/24VDC



The 2-channel IM35-22EX-HI/24VDC signal isolator is designed to transmit the normalized current signal galvanically isolated 1:1 from the non-Ex area to the Ex-area. In addition to the analog signal, also digital HART® communication signals can be transmitted bidirectionally.

Typical applications are for example, the control of I/P converters (at control valves for example) or indicators in the Ex-area.

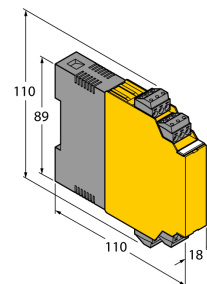
The actuators are connected to the output terminals 1/2 and 4/5. Handheld terminals [HHT] can be connected to the output and input terminals 7/10 and 8/9.

In addition, the removable terminal blocks are equipped with 2 mm test sockets for signal control.

- Intelligent actuators supplied via HART communication interface
- Input circuits: 0/4...20 mA
- Output circuits: 0/4...20 mA, intrinsically safe
- SIL2
- Removable terminal blocks, screwable, with 2 mm test box
- Complete galvanic isolation
- Input reverse-polarity protected
- ATEX, IECEx, UL, _{us} FM, TR CU, KOSHA, CCOE
- Installation in zone 2

Dimensions

Type	IM35-22EX-HI/24VDC
ID	7506515
Nominal voltage 24 VDC	
Operating voltage 19...29 VDC	
Power consumption ≤ 2.2 W	
Input current 0/4...20 mA	
Input resistance (current) ≤ 110 Ω	
Output circuits	
Output current 0/4...20 mA	
Load resistance current output ≤ 0.6 kΩ	
Response characteristic	
Rise time (10...90 %) ≤ 90 ms	
Fall time (90...10 %) ≤ 90 ms	
Measuring accuracy (including linearity, hysteresis and repeatability) ≤ 0.1 % of full scale	
Reference temperature 23 °C	
Temperature drift ≤ 0.005 % of full scale/K	
Galvanic isolation	
Test voltage 2.5 kV RMS	
Important note For Ex-applications the values specified in the corresponding Ex certificates (ATEX, IECEx, UL, etc.) apply.	
Ex approval acc. to conformity certificate TÜV 19 ATEX 244924 X	
Application area II (1) G, II (1) D	
Ignition protection category [Ex ia Ga] IIC; [Ex ia Da] IIIC	
Ex approval acc. to conformity certificate TÜV 06 ATEX 553057 X	
Application area II 3 G	
Ignition protection type Ex nA [ic Gc] IIC T4 Gc	
Characteristic trapezoidal	
Important note If the device is used in applications to achieve functional safety according to IEC 61508, the safety manual must be used. Information in the data sheet are not valid for functional safety.	
Approval SIL 2 acc. to EXIDA FMEDA	
Use in SIL safety circuits SIL 2 acc. to IEC 61508	
Displays/Operating elements	
Operational readiness Green	
Mechanical data	
Protection class IP20	
Flammability class acc. to UL 94 V-0	
Ambient temperature -25...+70 °C	
-25 ... +60 °C für UL, FM	
Storage temperature -40...+80 °C	
Dimensions 110 x 18 x 110 mm	
Weight 172 g	
Mounting instructions DIN rail (NS35) or panel	
Housing material Polycarbonate/ABS	
Electrical connection 4 × 3-pin removable terminal blocks with test socket, reverse polarity protected, screw terminal	
Terminal cross-section 1 × 2.5 mm ² /2 × 1.5 mm ²	
Tightening torque 0.5 Nm	



Accessories

Type code	Ident no.		Dimension drawing
IM-CC-3X2BU/2BK	6900475	Cage clamp terminals for IM modules (Ex-devices with 18 mm overall width); includes: 2 pcs. 3-pin blue terminals and 2 pcs. 3-pin black terminals.	