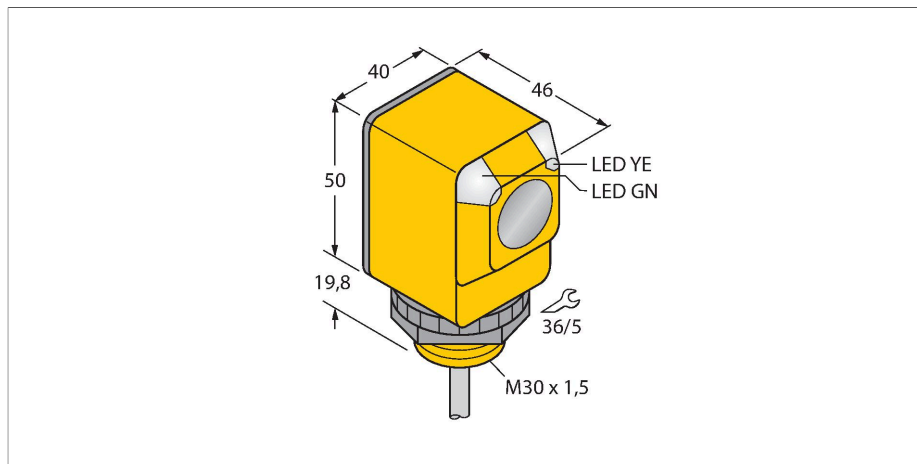


Q40RW3LP

Photoelectric Sensor – Retroreflective Sensor with Polarizing Filter



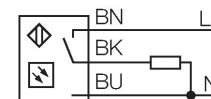
Technical data

Type	Q40RW3LP
ID no.	3033384
Optical data	
Function	Retroreflective Sensor
Operating mode	Polarized
Reflector included in delivery	no
Light type	IR
Wavelength	950 nm
Range	50...6000 mm
Electrical data	
Operating voltage	20...250 VAC
AC rated operational current	≤ 200 mA
Output function	Dark operation, Relay output
Switching frequency	≤ 40 Hz
Readiness delay	≤ 100 ms
Response time typical	< 16 ms
Mechanical data	
Design	Rectangular, Q40
Dimensions	Ø 30 x 50 x 46 x 40 mm
Housing material	Plastic, Thermoplastic material
Lens	Lexan, Polycarbonate
Electrical connection	Cable, 2 m, PVC
Number of cores	3
Core cross-section	0.5 mm ²
Ambient temperature	-40...+70 °C
Protection class	IP67

Features

- Cable, 2 m
- Protection class IP67
- Ambient temperature: -40...+70 °C

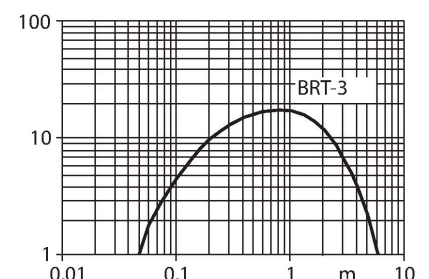
Wiring diagram



Functional principle

Retro-reflective sensors incorporate emitter and receiver in a single compact housing. The light beam of the emitter is directed towards a reflector which returns the light back to the receiver. An object is detected when it interrupts this beam. Retro-reflective sensors have a high function gain and good contrast performance. Further it is merely required to install and wire a single device.

Excess gain curve
Excess gain in relation to the distance



Technical data

Special features	Encapsulated
Power-on indication	LED, Green
Switching state	LED, Yellow
Excess gain indication	LED
Tests/approvals	
Approvals	CE, UL, CSA

Accessories

<p>SMB30A</p>	<p>3032723</p> <p>Mounting bracket, rectangular, stainless steel, for sensors with 30mm thread</p>	<p>SMB30FAM10</p>	<p>3011185</p> <p>Mounting bracket, stainless steel, for M10 x 1.5 thread, thread length 30 mm</p>
<p>SMB30SC</p>	<p>3052521</p> <p>Mounting bracket, PBT black, for sensors with 30 mm thread, rotatable</p>	<p>SMBAMS30P</p>	<p>3073135</p> <p>Mounting bracket, stainless steel, for sensors with 30 mm thread</p>

Accessories

Dimension drawing	Type	ID no.	
	<p>BRT-3</p>	<p>3016164</p>	<p>Round reflector, reflection coefficient 1.0, material acrylic, ambient temperature -20...+60 °C</p>