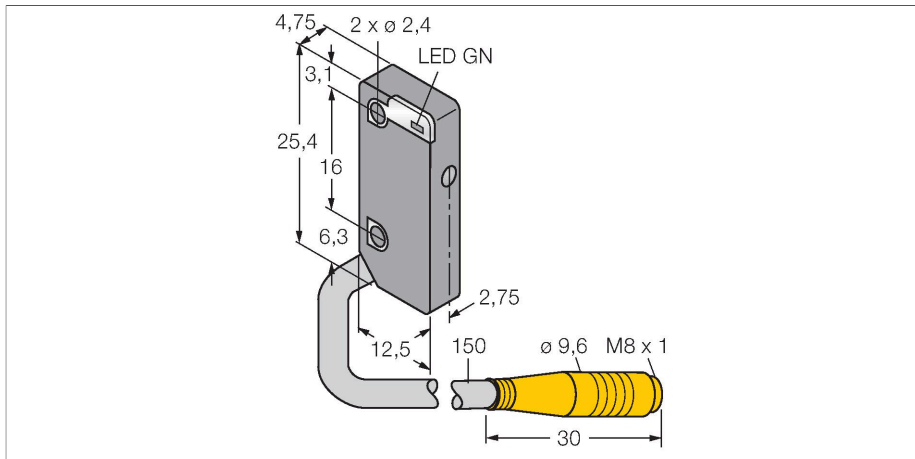


VS4EVQ

Photoelectric Sensor – Opposed Mode Sensor (Emitter)

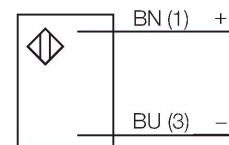
Miniature Sensor



Features

- Cable with male end, PVC, M8 × 1, 3-pin, 150 mm
- Protection class IP67
- Operating voltage: 10...30 VDC
- Flat design
- Visible red light

Wiring diagram



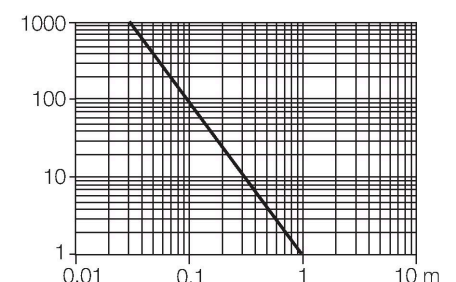
Technical data

Type	VS4EVQ
ID no.	3069427
Optical data	
Function	Opposed mode sensor
Operating mode	Emitter
Light type	Red
Wavelength	660 nm
Range	0...1000 mm
Electrical data	
Operating voltage	10...30 VDC
Residual ripple	< 10 % U _{ss}
No-load current	≤ 25 mA
Short-circuit protection	yes
Reverse polarity protection	yes
Readiness delay	≤ 100 ms
Response time typical	< 1 ms
Mechanical data	
Design	Rectangular, VS4
Dimensions	12.5 x 4.75 x 25.4 mm
Housing material	Plastic, Thermoplastic material
Lens	plastic, Polycarbonate
Electrical connection	Cable with connector, M8 × 1, 0.15 m, PVC
Number of cores	3
Ambient temperature	-20...+55 °C
Protection class	IP67

Functional principle

Opposed mode sensors consist of an emitter and receiver. They are installed opposite each other so that the light from the emitter is aimed directly at the receiver. When an object interrupts or weakens the light beam, the sensor switches. Opposed mode sensors are the most reliable photoelectric sensors for detection of opaque targets. An excellent contrast between light and dark conditions and an extremely high excess gain are typical of this sensing mode, thus allowing operation over larger distances and under difficult conditions.

Excess gain curve
Excess gain in relation to the distance



Technical data

Power-on indication	LED, Green
Error indication	LED, green, Flashing
Excess gain indication	LED
Tests/approvals	
Approvals	CE

Accessories

SMBVS4SRA	3069435
-----------	---------

Montagewinkel, 300 Edelstahl, rechtwinklig, für Sensoren der Baureihe VS4

Accessories

Dimension drawing	Type	ID no.	
	PKG3M-2/TEL	6625058	Connection cable, female M8, straight, 3-pin, cable length: 2 m, sheath material: PVC, black; cULus approval; other cable lengths and qualities available, see www.turck.com
	PKW3M-2/TEL	6625064	Connection cable, female M8, angled, 3-pin, cable length: 2 m, sheath material: PVC, black; cULus approval; other cable lengths and qualities available, see www.turck.com