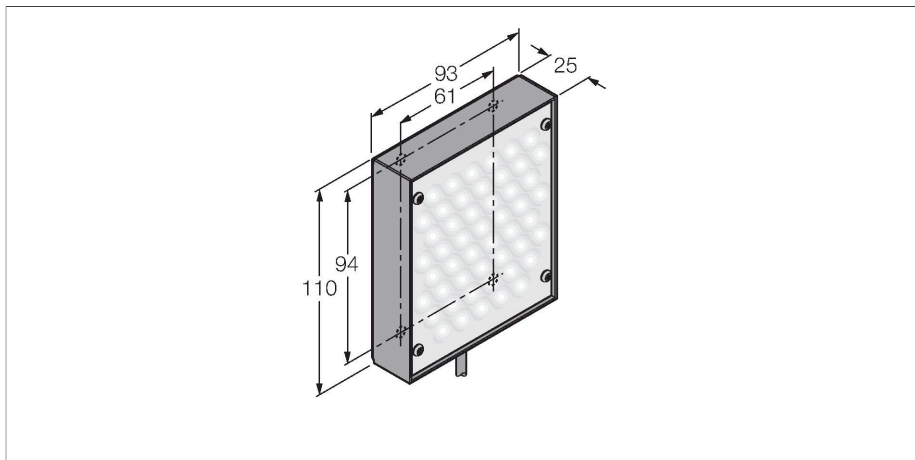


LEDRA80X80W

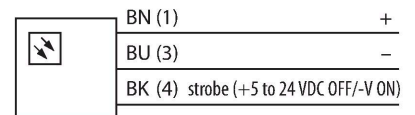
Vision System – Area Light



Features

- Close-range illumination
- Light intensity, adjustable
- Protection class: IP20
- Color: red
- Power supply: 24 VDC
- Cable, 2 m

Wiring diagram



Technical data

Type	LEDRA80X80W
ID	3069905
Signal and display data	
Purpose	Image processing
Function	Area light
Light type	Red
Wavelength	620...630 nm
LED service life (L70)	10000 h
Features of color 1	Red
Electrical data	
Operating voltage	24...250 VDC
DC rated operational current	≤ 250 mA
Max. current consumption per color	250 mA
Mechanical data	
Design	Rectangular
Dimensions	92.6 x 110.4 x 25.4 mm
Housing material	Metal, Low-carbon steel
Window material	Acrylic, clear
Electrical connection	Cable, 2 m, PVC
Number of cores	3
Ambient temperature	0...+50 °C
Protection class	IP40
Tests/approvals	
Approvals	CE, cULus listed

Functional principle

Area lights are perfectly suited for uniform illumination of a determined area.