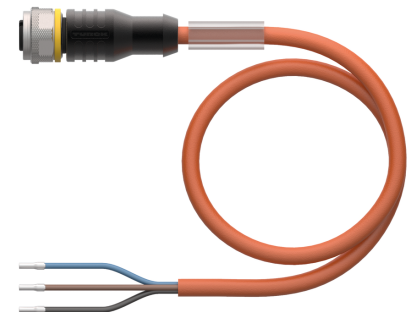
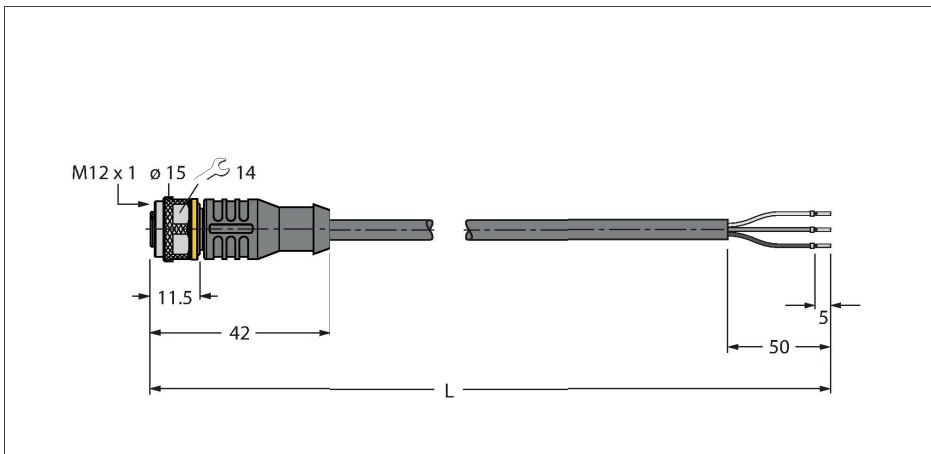


# RKC4T-2/TXO

## Actuator and Sensor Cable, PUR – Connection Cable



### Technical data

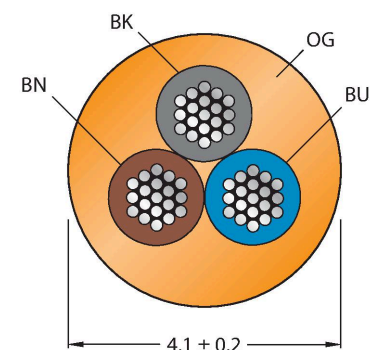
|  |  |
|--|--|
| Type                                   | RKC4T-2/TXO                            |
| ID                                     | 6628683                                |
| Connector A                            | Female, M12 × 1, Straight, A-coded     |
| Number of Pins                         | 3                                      |
| Contacts                               | Brass, CuZn, Gold-plated               |
| Contact carriers                       | Plastic, TPU, Black                    |
| Connector body                         | Plastic, TPU, Black                    |
| Coupling nut/screw                     | Brass, CuZn, Nickel-plated             |
| Seal                                   | Plastic, FPM/FKM                       |
| Mechanical lifespan                    | > 100 Mating cycles                    |
| Pollution degree                       | 3                                      |
| Protection class                       | IP67, IP69K, Only in screwed condition |
| <b>Cable</b>                           |  |
| Cable diameter                         | Ø 4.1 mm ±0.20                         |
| Cable length                           | 2 m                                    |
| Cable jacket                           | PUR, Orange                            |
| Core insulation                        | PP                                     |
| Core cross-section                     | 3 x 0.34 mm <sup>2</sup>               |
| Arrangement of strands                 | 42 x 0.1 mm                            |
| Core colors                            | BN, BU, BK                             |
| <b>Electrical properties at +20 °C</b> |  |
| Rated voltage                          | 250 V                                  |
| Test voltage                           | 2000 V                                 |
| Current                                | 4 A                                    |
| Insulation resistance                  | > 30.5 MΩ/km                           |
| forward resistance                     | max. 57 Ω/km                           |

### Features



- Female M12, straight, 3-pin
- Jacket material: PUR
- Jacket color: orange
- Suitable for drag chain use
- Resistant to chemicals, UV radiation and oils
- Flame retardant (FT2 acc. to UL 1581, IEC 60332-2-2)
- Resistant to welding sparks
- Free from halogen, silicone, PVC and LABS
- Particularly resistant to abrasion
- Protection class: IP67, IP69K
- Cable length: 2.0 m

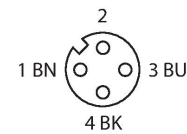
### Cable Cross-Section



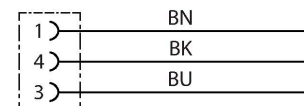
### Contact assignment

## Technical data

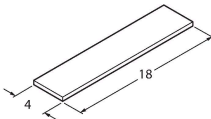
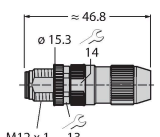
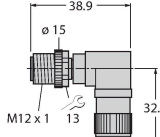
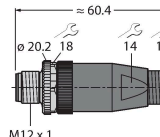
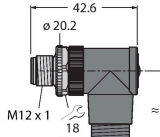
| Mechanical and chemical properties              |                              |
|---|------------------------------|
| Bending radius (stationary installation)        | $\geq 5 \times \varnothing$  |
| Bending radius (flexible use)                   | $\geq 10 \times \varnothing$ |
| Bending cycles                                  | $\geq 5$ million             |
| Admissible acceleration                         | max. 5 m/s <sup>2</sup>      |
| Admissible travel path, horizontal              | 5 m (at 5 m/s <sup>2</sup> ) |
| Admissible travel path, vertical                | 2 m (at 5 m/s <sup>2</sup> ) |
| Admissible traversing speed                     | 3.3 m/s                      |
| Torsional stress                                | $\pm 180$ °/m                |
| Ambient temperature range (stationary)          | -50...+80 °C                 |
| Ambient temperature range (In motion)           | -25...+80 °C                 |
| Ambient temperature during drag chain operation | -25...+60 °C                 |
| Approvals                                       | cULus                        |



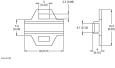
## Circuit Diagram



## Accessories

|   |  |
|---|--|
| <p><b>TORQUE-WRENCH-SET-AS</b> 6936170</p> <p>Torque wrench set; handles with adjustable torque 0.4-1.0 Nm, torque wrench for M8 (SW9), fork wrench for M12 (SW 14)</p>   | <p><b>BLANK-LABEL-FOR-CORDSETS-TEL-TXL</b> 6936206</p> <p>Label for TEL and TXL cables, length: 18 mm, height: 4 mm, material: polycarbonate (PC), color: white, halogen-free and flame-retardant</p>    |
| <p><b>HAS8141-0</b> 6905406</p> <p>Field-wireable male connector, M12 × 1, straight, 4-pin, insulation piercing connection, cable feedthrough 4.0 to 5.1 mm, core cross-section/terminal capacity 0.14 to 0.34 mm<sup>2</sup>, plastic housing, metal nut</p>      | <p><b>HAS8241-0</b> 6905400</p> <p>Field-wireable male connector, M12 × 1, angled, 4-pin, insulation piercing connection, cable feedthrough 4.0 to 5.1 mm, core cross-section/terminal capacity 0.14 to 0.34 mm<sup>2</sup>, plastic housing, metal nut</p>  |
| <p><b>BS8141-0</b> 69010</p> <p>Field-wireable male connector, M12 × 1, straight, 4-pin, screw terminal connection, cable feedthrough 4.0 to 6.0 mm, core cross-section/terminal capacity 0.14 to 0.75 mm<sup>2</sup>, plastic housing, metal retaining screw</p>  | <p><b>BS8241-0</b> 69011</p> <p>Field-wireable connector, M12 × 1, angled, 4-pin, screw terminal connection, cable feedthrough 4.0 to 6.0 mm, core cross-section/terminal capacity 0.14 to 0.75 mm<sup>2</sup>, plastic housing, metal retaining screw</p>   |

## Accessories

| Dimension drawing   | Type                  | ID        |  |
|---|-----------------------|-----------|--|
|  | LABEL-HOLDER-FLEX-PVC | 100048170 | PVC label holder for identification of extension cables (TEL/TXL product series); for cable diameters: min. 5 mm; dimensions 4 × 18 mm; delivery unit: 50 pcs. per package |