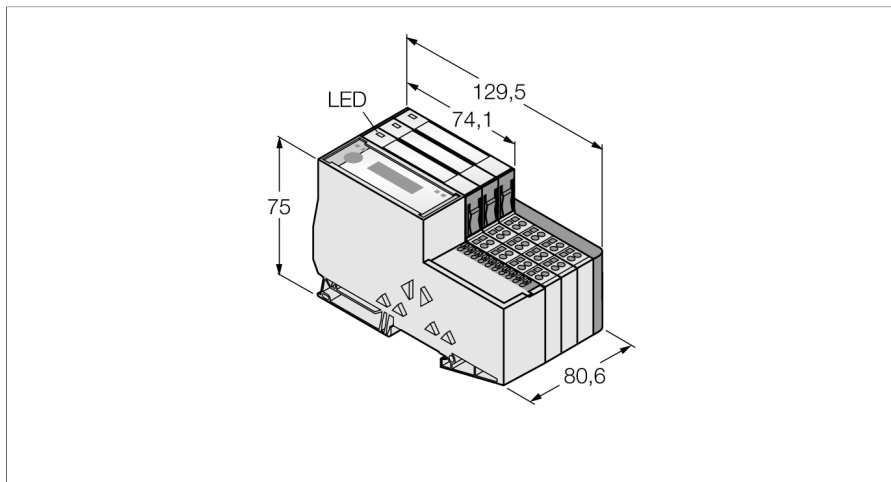


Economy Set for Profibus DPV1 in IP20 TI-BL20-E-DPV1-6



- Cable max. 50 m between interface and read/write head
- Connection of up to 6 read/write heads via BL ident extension cables
- Mixed operation of HF and UHF read/write heads

Functional principle


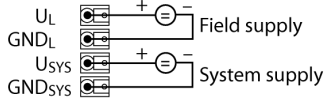

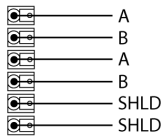
BL20 gateways are the head component of a BL20 station. They are designed to interface the modular fieldbus nodes to the higher level fieldbus (PROFIBUS-DP, DeviceNet, CANopen, Ethernet).

All BL20 electronic modules communicate over the internal module bus, the data of which is transferred to the fieldbus via the gateway, so that all I/O modules can be configured independently of the bus system.

Type designation	TI-BL20-E-DPV1-6
Ident no.	1545124
Number of channels	6
Dimensions (W x L x H)	80.6 x 129.5 x 75 mm
Supply voltage	24 VDC
System power supply	24 VDC / 5 VDC
Field supply	24 VDC
Admissible range	18...30 VDC
Max. field supply current	8
Max. system supply current	1
Fieldbus transmission rate	9.6 kbps ...12 Mbps
Fieldbus address range	1...126
Fieldbus addressing	via DIP switch
Service interface	PS/2 socket
Fieldbus connection technology	Push-in clamps
Voltage supply connection	Push-in terminals
Fieldbus termination	via DIP switch
Number of diagnostics bytes	3
Number of parameter bytes	5
Relative humidity	15...95 %, no condensation allowed
Vibration test	Acc. to EN 61131
Shock test	Acc. to IEC 60068-2-27
Drop and topple	acc. to IEC 68-2-31 and free fall to IEC 68-2-32
Electromagnetic compatibility	Acc. to EN 50082-2
Protection class	IP20
Included in delivery	2 x end brackets BL20-WEW-35/2-SW, 1 x end plate BL20-ABPL

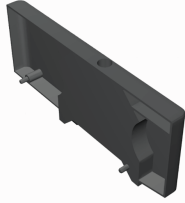
Economy Set for Profibus DPV1 in IP20 TI-BL20-E-DPV1-6

Anschlussübersicht

	<p>Power Supply The U_{SYS} system supply feeds power to the gateway and the I/O modules. The U_L field supply feeds power to the sensors and actuators.</p>	<p>Pin Assignment</p> 
	<p>PROFIBUS-DP Fieldbus cable (example): D9T451-2M (ident no. 6915759) or RSSW-451-2M (ident no. 6914229)</p>	<p>Pin Assignment</p> 

**Economy Set for Profibus DPV1 in IP20
TI-BL20-E-DPV1-6**

Accessories

Type code	Ident no.		Dimension drawing
BL20-ABPL (2 PCS.)	6827123	End plate for a BL20 station after the last I/O module (2 pieces)	
BL20-WEW-35/2-SW (10 PCS.)	6827124	End bracket for fixation of a BL20 station (10 pieces)	